

MENIOTA

NORTH AMERICA'S LUXURY FIREPLACE

Installation and Operating Instructions

MODEL NO. AA-11-05391 FV33i FireIn FULLVIEW DIRECT VENT GAS FIREPLACE INSERT HEATER

INSTALLER: Leave this manual with the appliance

CONSUMER: Retain this manual for future reference

INSTALLATEUR : Laissez ce manuel avec l'appareil

CONSOMMATEUR : Conservez ce manuel pour référence future

⚠ WARNING:

FIRE OR EXPLOSION HAZARD

Failure to follow safety warnings exactly could result in serious injury, death, or property damage.

- Do not store or use gasoline or other flammable vapors and liquids in the vicinity of this or any other appliance.

- WHAT TO DO IF YOU SMELL GAS

- Do not try to light any appliance.
- Do not touch any electrical switch; do not use any phone in your building.
- Immediately call your gas supplier from a neighbor's phone. Follow the gas supplier's instructions.
- If you cannot reach your gas supplier, call the fire department.

- Installation and service must be performed by a qualified installer, service agency or the gas supplier.

This appliance may be installed in an aftermarket, permanently located, manufactured home (USA only) or mobile home, where not prohibited by local codes.

This appliance is only for use with the type of gas indicated on the rating plate. This appliance is not convertible for use with other gasses, unless a certified kit is used.

A barrier designed to reduce the risk of burns from the hot viewing glass is provided with this appliance and must be installed.

⚠ AVERTISSEMENT:

RISQUE D'INCENDIE OU D'EXPLOSION

Le non-respect des avertissements de sécurité à la lettre peut entraîner des blessures graves, la mort ou des dommages matériels.

Ne pas entreposer ni utiliser d'essence ni d'autres vapeurs ou liquides inflammables dans le voisinage de cet appareil ou de tout autre appareil.

- QUE FAIRE SI VOUS SENTEZ UNE ODEUR DE GAZ:

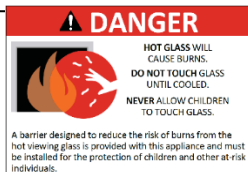
- Ne pas tenter d'allumer d'appareil.
- Ne touchez à aucun interrupteur. Ne pas vous servir des téléphones se trouvant dans le bâtiment où vous trouvez.
- Appelez immédiatement votre fournisseur de gaz depuis un voisin. Suivez les instructions du fournisseur.
- Si vous ne pouvez rejoindre le fournisseur de gaz, appelez le service des incendies.

- L'installation et l'entretien doivent être assurés par un installateur ou un service d'entretien qualifié ou par le fournisseur de gaz.

Cet appareil peut être installé dans une maison préfabriquée (É.-U. seulement) ou mobile déjà installée à demeure si les règlements locaux le permettent.

Cet appareil doit être utilisé uniquement avec les types de gaz indiqués sur la plaque signalétique. Une trousse de conversion est fournie avec cet appareil.

Une barrière conçue pour réduire le risque de brûlures du verre chaud est fournie avec cet appareil et doit être installée.



85-03-01292-J



FV33i FireIn

1 READ ME FIRST

1.1 INITIAL FIRING AND CURING PROCEDURE

This product requires an initial heat curing cycle during which some materials used in the manufacturing process will burn off and the powder paint goes through a hardening cycle. During the initial curing phase, some smoke and odor will be emitted. This is normal.

The installer should perform these initial curing cycle procedures as the final step in the installation process before finishing materials are installed around this fireplace. See chapter [Mendota Fireplace Insert Curing Instructions](#). Read and follow all instructions given in this Chapter and perform the 3-step curing cycle.

After the 3-step curing cycle has been completed, all smoking will have stopped. Some slight odors may remain. With subsequent use of this Insert, odors will slowly dissipate and disappear.

ODOR RISKS

If the Woodburning fireplace firebox and chimney flue are not inspected and cleaned as required, the heat from this Insert body and vent system may cause existing dirt, creosote, or mold to emit odor.

If this appliance is not operated for an extended period (three months or longer), when first fired again, expect odors of burnt dust and lint; just like when turning on your home heating system for the first time in the Fall.

1.2 HOT SURFACES ARE NORMAL

Mendota Inserts comply with ANSI Z21.88 Standards for maximum surface temperatures (ambient plus 117°F) on exposed “combustible” surfaces adjacent to the Insert.

Be aware that the surface in front of, above and adjacent to this heater appliance can be too hot to touch. As long as all required clearances to combustibles are met and the required finishing materials are used, this appliance will perform safely. Note that the exposed surfaces immediately surrounding the Insert can have surface temperatures that are too hot to touch. This level of surface temperature is considered normal and does not indicate any hazardous situation.

WARNING: The supplied barrier screen must be installed always when this fireplace is in operation. Do not place any object directly in front (within 60”) or directly above (on the front edge of the mantel). This is a heating appliance. Areas directly in front and above this appliance will be very hot and can damage most household objects if placed too close. Keep Furniture pieces at least 60” away in front of the barrier screen.

1.3 PERIODIC AND ANNUAL CLEANING ARE REQUIRED

See [Required Periodic Inspections](#) and [Required Annual Maintenance](#). Periodic and Annual cleaning and general services are required at least once a year in the Summer or early Fall. Changing remote control at least every 6 months is required; or more frequently based upon usage frequency. Cleaning pilot flame sensor rod, sparker rod and pilot hood body is required at least once per year. Cleaning of burner ports, gas orifice areas is required once a year due to insects’ nesting probability due to Mercaptan addition in Natural Gas (Mercaptan attracts insects).

1.4 KEEP THE FLUE WARM

It is required to activate the Continuous Pilot Mode (CPI) to leave the pilot light running during winter months when outside daily high temperatures remain 50°F or lower. Doing so will eliminate heat loss from the home through the fireplace Insert glass door and will increase flue draft during startups and will aid in eliminating system lock out.

3.4.9	Gas Input Rate Verification.....	49
3.4.9.1	Natural Gas Input Rate Verification	49
3.4.9.2	LPG Input Rate Verification.....	49
3.4.10	High Altitude De-Rating.....	49
4	INSTALLATION INSTRUCTIONS	50
4.1	INSTALLATION CHECKLIST	50
4.2	UNPACKING THE INSERT	51
4.3	CONTENTS OF THE MANUAL PACKET	52
4.4	WHAT IS NOT INCLUDED WITH THIS APPLIANCE?	52
4.5	BENDING UP THE SHIPPING CLIPS	53
4.6	LEVELING BOLTS	54
4.6.1	Leveling Bolts Definition.....	54
4.6.2	Leveling Bolts Adjustment.....	54
4.7	GLASS DOOR REMOVAL AND REINSTALLATION	55
4.7.1	To Remove Door.....	55
4.7.2	To Replace Door	55
4.8	LIGHT BULB AND LIGHT LENS INSTALLATION	56
4.9	LIGHT BULB AND LIGHT LENS INSTALLATION	56
4.10	NATURAL GAS TO LPG CONVERSION.....	57
4.10.1	General Conversion Information.....	57
4.10.1.1	Orifice sizes requirement.....	57
4.10.1.2	Procedure to Convert Fireplace to Burn LPG	57
4.10.2	Burner Ignition Characteristics.....	60
4.10.3	Pilot Flame & Burner Relationship Verification..	60
4.11	FIREPLACE CAVITY PREPARATION	61
4.12	VENTING.....	62
4.12.1	Removing Vent Adapter from top of unit.....	63
4.12.2	Dropping Flex Vent Liners.....	64
4.12.3	Attaching Flue Liners to Vent Cap	64
4.12.4	Sealing the vent cap base plate or flashing to the Chimney Top.....	65
4.12.5	Air Intake Damper Adjustment Suggestions.....	66
4.12.6	Attaching Flue Liners to Unit Top Vent Adapter.	66
4.13	ATTACHING WARNING LABEL TO ZC WOODBURNING FIREPLACE FLOOR	66
4.14	INSERT BODY INSTALLATION.....	67
4.14.1	Surround Installation.....	67
4.14.2	Log Set/ Media Installation.....	69
4.15	TUBE AIR SHUTTER CONTROL AND FLAME APPEARANCE .	69
4.16	LIGHTING CHECKLIST.....	69
5	HOMEOWNER INFORMATION	70
5.1	AESTHETIC CONSIDERATIONS	70
5.2	HEATING PERFORMANCE.....	70
5.3	IMPORTANT INFORMATION FOR HOMEOWNER	70

5.4	OPERATING INFORMATION.....	70
5.4.1	Using Your Remote Control	70
5.4.2	Synchronizing Fireplace and Remote Control	70
5.4.3	Remote Control Functions.....	72
5.5	REMOTE CONTROL OPERATING INSTRUCTIONS	73
5.5.1	To Turn on the Fireplace.....	73
5.5.2	To Turn off the Fireplace	73
5.5.3	Understanding Your Remote-Control Icons	73
5.5.4	Icon Details	74
5.6	IPI AND PILOT ON DEMAND MODES.....	75
5.6.1	Setting to IPI or CPI mode.....	75
5.7	FIRST TIME LIGHTING INSTRUCTIONS	76
5.7.1	Safety Information.....	76
5.8	OPERATING INSTRUCTIONS.....	76
5.9	TO TURN OFF GAS TO FIREPLACE	76
5.10	FREQUENTLY ASKED QUESTIONS	77
5.10.1	What to do if I smell gas?	77
5.10.2	Where can I find the model and serial numbers? 77	
5.10.3	Can I operate my Insert during power outages? 78	
5.10.4	What maintenance is required?	78
5.10.4.1	Required Annual Maintenance	78
5.10.4.2	Periodic Inspection.....	79
5.10.5	How do I clean the viewing glass?	79
5.10.6	Is my flame performance correct?	79
5.10.7	What should I do if my fireplace is sooting?.....	79
5.10.8	How do I change from Celsius to Fahrenheit?....	79
5.10.9	When do I change batteries in my remote?	80
5.10.10	How do I set the child-lock mode?	80
5.10.11	Thermostat icon disappeared from my remote. 80	
5.10.12	Why won't my fireplace turn on?.....	80
5.10.13	What happens when I first light my fireplace?... 80	
6	MAINTENANCE INFORMATION.....	81
6.1	REQUIRED PERIODIC INSPECTIONS	81
6.2	CLEANING VIEWING GLASS.....	81
6.3	REQUIRED ANNUAL MAINTENANCE	81
6.4	OVER FIRING OR UNDER FIRING OF BURNER	82
6.5	IGNITION SYSTEM LOCKOUT MODE AND RE-LIGHTING	82
6.6	BURNER FLAME HEIGHTS REFERENCE DIAGRAM	82
6.7	REPLACEMENT PARTS INFORMATION.....	83
6.7.1	Replacement Parts List	83
6.7.2	Convection Air Blower System Parts	84
6.7.3	Burner System Parts	84
6.7.4	Gas Valve Train Parts	84

6.7.5	Ignition Control Module Assembly Parts.....	86	7.2	WARRANTY POLICY STATEMENT.....	90
6.7.6	Accent Light	86	7.2.1	Conditions.....	91
6.7.7	Glass Frame Parts Replacement Procedure	87	7.2.2	Exclusions	91
7	WARRANTY QUALIFICATION AND SERVICE.....	88	7.2.3	Limitations of Liability	92
7.1	FINAL INSTALLATION AND HOMEOWNER CHECKLIST.....	89	7.2.4	How to Obtain Warranty Service.....	92

2 GENERAL INFORMATION

2.1 SAFETY AND WARNING INFORMATION

2.1.1 Building Permit & Inspection Requirements

All installations of Mendota fireplaces and inserts must comply with all the requirements stated in this Installation and Operating Manual. The dealer and/or installer must obtain all required building permits and inspection approvals from the local building inspection department or the local jurisdiction. To validate warranty coverage, Mendota may require facsimile copies of the building permit and inspection approval forms. Failure to provide adequate proof that the installation conforms to all local requirements and the requirements stated in the Installation and User Manual will void all applicable warranties.

2.1.2 Other Cautions

This fireplace is not intended for outdoor installation. The fireplace must be installed where it is fully protected from all precipitation, excessive moisture, and the ambient temperature remains between 32°F to 110°F. Failure to install the fireplace in an area that meets these requirements will void all applicable warranties.

CAUTION: Each installation must conform to all local, state and national codes. Refer to the national fuel gas code and local zoning and code authorities for details on installation requirements. The Mendota Fireplace must be vented to the outside in accordance with the latest edition of the National Fuel Gas Code. In the absence of local codes, the installation must conform to the most current edition of the National Fuel Gas Code ANSI Z223.1/NFPA 54 or the Natural Gas and Propane Installation Code, CSA B149.1

CAUTION: The Mendota Fireplace Insert may be installed in a manufactured (mobile) home after the first sale of the home. Manufactured home (mobile home) installation must conform with the Manufactured Home Construction and Safety Standard, Title 24 CFR, Part 3280, or, when such a standard is not applicable, the Standard for Manufactured Home Installations, ANSI A225.1/NFPA 501A, or CSA Z240.4-Gas Equipped Mobile Housing. Consult your local building official. NOTE: For mobile home installations, unit must be bolted to the Woodburning fireplace firebox floor and properly grounded.



INSTALLER: Leave this manual with the appliance. **CONSUMER:** Retain this manual for future reference.

INSTALLATEUR : Laissez cette notice avec l'appareil. **CONSOMMATEUR :** Conservez cette notice pour consultation ultérieure.

2.2 SAFETY WARNINGS

HIGH-ALTITUDE INSTALLATION INFORMATION: Prior to installing at altitudes higher than 7,500 ft., understand the need for gas input derating. Contact your local gas company to see if your gas type is already derated for your altitude or contact Mendota Technical Service for support.

INSTALLER NOTE: These instructions are to remain with homeowner.

Be sure to read and understand all instructions carefully before starting the fireplace. Failure to follow these instructions may result in a possible fire hazard leading to property loss, injury or even death and will void all warranty.

FOR YOUR SAFETY: A qualified installer, service agency, or the gas supplier must perform installation and service. Do not store or use gasoline or other flammable vapors and liquids in the vicinity of this or any other appliance.

WARNING: Do not operate this appliance with the glass removed, cracked, or broken. A licensed or qualified person should do replacement of glass.

AVERTISSEMENT: Ne pas utiliser l'appareil si le panneau frontal en verre n'est pas en place, est craqué ou brisé. Confiez le remplacement du panneau à un technicien agréé.

WARNING: Mendota gas fireplaces are heat producing appliances. Do not burn wood, paper, or other materials in this fireplace. This fireplace is designed as a supplemental heat source. It is advisable to have an alternative primary heat supply.

In the Commonwealth of Massachusetts:

Installation must be performed by a licensed plumber or gas fitter; a CO detector shall be installed in the room where the appliance is installed.

WARNING: Improper installation, adjustment, alteration, service, or maintenance can cause injury or property damage. Refer to this manual. For assistance or additional information consult a qualified installer, service agency or the gas supplier.

This appliance may be installed in an aftermarket, permanently located, manufactured (mobile) home (USA Only), where not prohibited by local codes.

This appliance is only for use with the type(s) of gas indicated on the rating plate. This appliance is not convertible for use with other gases unless a certified conversion kit is used.

Cet appareil peut être installé dans un maison préfabriquée (mobile) déjà installée à demeure si les règlements locaux le permettent.

Cet appareil doit être utilisé uniquement avec les types de gas indiqués sur la plaque signalétique. Ne pas l'utiliser avec d'autres gas sauf si un kit de conversion certifié est installé.

2.2.1 Safety Standards and Warnings

Do not operate this appliance with the glass removed, cracked, or broken. Only glass doors certified with this appliance shall be used.

A barrier designed to reduce the risk of burns from the hot viewing glass is provided with this appliance and must be installed. If the barrier becomes damaged, the barrier shall be replaced with the manufacturer's barrier for this appliance.

Any Barrier Screen or guard removed for servicing must be replaced before operating fireplace.

Tout écran ou protecteur retiré pour permettre l'entretien de l'appareil doit être remis en place avant de mettre l'appareil en marche.

This unit is not for use with solid fuel.

Ne pas utiliser avec du combustible solide.

Installation and repair should be **performed** by a qualified service person. The fireplace and venting system should be **inspected** before initial use and at least annually by a professional service person. More frequent cleaning may be required due to excessive lint from carpeting, bedding, material, etc. It is imperative that the unit's control compartment, burners and circulating air passageways are **kept clean** to provide adequate combustion and ventilation air.

L'installation et la réparation devrait être confiées à un technicien qualifié. L'appareil devrait faire l'objet d'une inspection par un technicien professionnel avant d'être utilisé et au moins une fois l'an par la suite. Des nettoyages plus fréquents peuvent être nécessaires si les tapis, la literie, et cetera produisent une quantité importante de poussière. Il est essentiel que les compartiments abritant les commandes, les brûleurs et les conduits de circulation d'air de l'appareil soient tenus propres.

Always keep the fireplace clear and free from combustible materials, gasoline, and other flammable vapors and liquids.

Never obstruct the flow of combustion and ventilation air. Keep the front of the fireplace clear of all obstacles and materials for servicing and proper operation. Use only Mendota approved Screens, Fronts and Trim Kits.

Due to high temperature, the fireplace **should be located out of traffic areas** and away from furniture and draperies. En raison des températures élevées, l'appareil devrait être installé dans un endroit où il y a peu de circulation et loin du mobilier et des tentures.

Clothing or flammable material should not be placed on or near the fireplace.

On ne devrait pas placer de vêtements ni d'autres matières inflammables sur l'appareil ni à proximité.

Children and adults should be **alerted** to the hazards of high surface temperature and should **stay away** to avoid burns or clothing ignition. The door glass, surrounding walls and objects can be too hot to touch.

Les enfants et les adultes devraient être informés des dangers que posent les températures de surface élevées et se tenir à distance afin d'éviter des brûlures ou que leurs vêtements ne s'enflamment.

Young children should be **carefully supervised** when they are in the same room as the fireplace. Toddlers, young children and others may be susceptible to accidental contact burns. A physical barrier is recommended if there are at risk individuals in the house. To restrict access to a fireplace or stove, install an adjustable safety gate to keep toddlers, young children and other at-risk individuals out of the room and away from hot surfaces. This physical barrier is in addition to the required glass barrier Screen.

Les jeunes enfants devraient être surveillés étroitement lorsqu'ils se trouvent dans la même pièce que l'appareil. Les tout petits, les jeunes enfants ou les adultes peuvent subir des brûlures s'ils viennent en contact avec la surface chaude. Il est recommandé d'installer une barrière physique si des personnes à risques habitent la maison. Pour empêcher l'accès à un foyer ou à un poêle, installez une barrière de sécurité; cette mesure empêchera les tout petits, les jeunes enfants et toute autre personne à risque d'avoir accès à la pièce et aux surfaces chaudes.

These units **must** use one of the vent systems described in the Flue Venting section of this manual.

This gas fireplace and vent system **must** be vented directly to the outside and **must never** be attached to a chimney serving a separate solid fuel-burning fireplace. Each gas fireplace **must use** a separate vent system. Common vent systems are **prohibited**.

The vent system for this fireplace must be periodically examined by a qualified service agency to maintain venting performance and safety. If the vent-air intake system is disassembled for any reason, reinstall per the instructions provided for the initial installation.

Inspect the external vent cap on regular basis (monthly) to make sure that no debris is interfering with the airflow. The flow of combustion and ventilation air are not to be obstructed.

Do not abuse the glass door assembly by striking the glass, slamming the door shut, etc.

Use only authorized parts and materials obtained from Mendota Hearth when replacing defective or damaged glass, log sets, media, firebox inner liners or trim kits.

Do not use abrasive cleaners on the glass door assembly. Do not attempt to clean the glass door when it is hot. Use Mendota recommended cleaner, KelKem.

Turn off the gas before servicing this fireplace. It is recommended that a qualified service technician perform a fireplace check-up at the beginning of each heating season.

Do not place furniture or any other combustible household objects within 60" of the fireplace front, per fire safety code.

This vented gas fireplace heater is not for use with air filters.

Foyer au gaz à évacuation. - Ne pas utiliser avec du combustible solide.

Keep burner and control compartment clean. See installation and operating instructions accompanying fireplace.

S'assurer que le brûleur et le compartiment des commandes sont propres. Voir les instructions d'installation et d'utilisation qui accompagnent l'appareil.

WARNING: Improper installation, adjustment, alteration, service or maintenance can cause injury or property damage. Refer to the owner's information manual provided with this fireplace. For assistance or additional information consult a qualified installer, service agency or the gas supplier.

L'AVERTISSEMENT: L'installation inconvenante, ajustement, modification, service ou entretien peut causer le dommages de propriété ou blessure. Référer au manuel d'information de propriétaire fourni cet appareil. Pour l'assistance ou information supplémentaire consulte un qualifiée installateur, agence de service ou le fournisseur de gaz.

Do not use this fireplace if any part has been under water. Immediately call a qualified service technician to inspect the fireplace and to replace any part of the control system and any gas control, which has been underwater.

Ne pas utiliser cet appareil s'il a été plongé, même partiellement, dans l'eau. Appeler un technicien qualifié pour inspecter l'appareil et remplacer toute partie du système de commande et toute commande qui a été plongée dans l'eau.

Do not use any fronts or doors with this fireplace unless they are certified by Mendota and installed by a certified installer.

Seules des portes certifiées pour cet appareil doivent être utilisées.

2.3 REQUIREMENTS FOR THE COMMONWEALTH OF MASS.

The information in this section applies to all installations performed in the Common Wealth of Massachusetts only.

- a. For all side wall, horizontally vented gas fueled equipment installed in every dwelling, building or structure used in whole or in part for residential purposes and where the side wall exhaust vent termination is less than seven (7) feet above grade, the following requirements shall be satisfied:
 1. If there is no carbon monoxide detector with an alarm already installed in compliance with the most current edition of NFPA 720, NFPA 70 and the Massachusetts State Building code in the residential unit served by the side wall horizontally vented gas fueled equipment, a battery-operated carbon monoxide detector with an alarm shall be installed in compliance with the most current edition of NFPA 720, NFPA 70 and the Massachusetts State Building Code.
 2. In addition to the above requirements, if there is not one already present, a carbon monoxide detector with an alarm and a battery backup shall be installed and located in accordance with the installation requirements supplied with the detector on the floor level where the gas equipment is installed. The carbon monoxide detector with an alarm shall comply with 527 CMR, ANSI/UL 2034 Standards or CSA 6.19 and the most current edition of NFPA 720. In the event that the requirements of this subdivision cannot be met at the time of the completion of the installation of the equipment, the installer shall have a period of thirty (30) days to comply with this requirement; provided, however, that during said thirty (30) day period, a battery-operated carbon monoxide detector with an alarm shall be installed in compliance with the most current edition of NFPA 720, NFPA 70 and the Massachusetts State Building Code. In the event that the side wall horizontally vented gas fueled equipment is installed in a crawl space or an attic, the carbon monoxide detector may be installed on the next adjacent habitable floor level. Such detector may be a battery-operated carbon monoxide detector with an alarm and shall be installed in compliance with the most current edition of NFPA 720, NFPA 70 and the Massachusetts State Building Code.
 3. A metal or plastic identification plate shall be permanently mounted to the exterior of the building at a minimum height of eight (8) feet above grade directly in line with the exhaust vent terminal for the horizontally vented gas fueled heating appliance or equipment. The sign shall read, in print size no less than one-half (1/2)" in size, "GAS VENT DIRECTLY BELOW, KEEP CLEAR OF ALL OBSTRUCTIONS"
 4. A final inspection by the state or local gas inspector of the side wall horizontally vented equipment shall not be performed until proof is provided that the state or local electrical inspector having jurisdiction has granted a permit for installation of carbon monoxide detectors and alarms as required above.
- b. EXEMPTIONS: The following equipment is exempt from 248 CMR 5.08(2) (a) 1 through 4:
 1. The equipment listed in Chapter 10 entitled "Equipment Not Required to Be Vented" in the most current edition of NFPA 54 as adopted by the Board; and
 2. Product Approved side wall horizontally vented gas fueled equipment installed in a room or structure separate from the dwelling, building or structure used in whole or in part for residential purposes.
- c. When the manufacturer of Product Approved side wall horizontally vented gas equipment provides a venting system design or venting system components with the equipment, the instructions for installation of the equipment and the venting system shall include:
 1. A complete parts list for the venting system design or venting system; and
 2. Detailed instructions for the installation of the venting system design or the venting system components.
- d. When the manufacturer of a Product Approved side wall horizontally vented gas fueled equipment does not provide the parts for venting the flue gases, but identifies "special venting systems", the following shall be satisfied:
 1. The referenced "special venting system" instructions shall be included with the appliance or equipment installation instructions; and
 2. The "special venting systems" shall be Product Approved by the Board, and the instructions for that system shall include a parts list and detailed installation instructions.
- e. A copy of all installation instructions for all Product Approved side wall horizontally vented gas fueled equipment, all venting instructions, all parts lists for venting instructions, and/or all venting design instructions shall remain with the appliance or equipment at the completion of the installation

3 TECHNICAL REFERENCES

Read and understand all information provided under this section, [Technical References](#), before you begin the installation of this product. Failure to follow all technical reference information, use of components or parts not approved or use of improper installation procedures can lead to a fire or explosion causing property damage, personal injury, or loss of life.

3.1 GENERAL TECHNICAL REFERENCES

Caution: Before igniting the pilot or burners, perform the following inspections and verifications:

Check glass gasket seal. Visually inspect glass gasket, especially at the corners of the glass piece. Glass gasket is installed as a 4-piece assembly. Check joints between the gasket pieces at the corners. They should butt against each other to create a seal. Gaps between gasket pieces can cause exhaust leaks and lead to acrid smell concerns. Check for gas leaks at all fittings.

During the first burning cycle of this insert, ensure the convection blower is running at level three during the first two hours of initial burn. After two hours of initial burn, allow fireplace to cool. **Proceed with [Mendota Fireplace Insert Curing Instructions](#).**

WARNING FIRE RISK/ODOR RISK

- Install appliance only inside a Masonry or Factory Built ZC Wood Burning Fireplace.
- An R-1 Rated Hearth Protection Pad, 16" deep, is required unless this fireplace is elevated at least 6" above floor level of the room. For every 1" this fireplace is elevated, you may reduce the hearth pad depth by 2". Locate and install appliance to all clearance specifications in manual.
- Verify glass gasket seal before firing unit the first time. Verify proper latching of glass frame onto unit body.
- Understand that this appliance requires a break-in period during which small amounts of smoke and curing smells will be emitted.

This fireplace must be installed and serviced by a qualified installer, service agency, or the gas supplier. Any adjustments to burner, pilot, logs, or coal bed must be made by a qualified installer, service agency, or the gas supplier.

If the ignition control system goes into lockout mode, always wait 5 minutes before attempting to relight.

Never block off convection air openings or paths. Trim panels or surrounds shall not seal ventilation openings in the fireplace.

Always use Mendota decorative fronts and Mendota approved vent systems and vent caps only.

3.1.1 Mendota Fireplace Insert Curing Instructions

ATTENTION

It is important that the blowers are turned on during this step to prevent the curing smoke from staining the wall finish above the fireplace. Mendota recommends completing Step 1 prior to installation of wall finish materials.

Visible smoke and strong odor are to be expected during this step. If desired, disable smoke alarms before this step, smoke from the initial curing cycle will set off smoke alarms. Open doors and windows of the home to circulate fresh air.

3.1.1.1 Step 1: Expelling Initial Smoke and Odors

- Please refer to [OPERATING INFORMATION](#), if you have questions on how to operate your Mendota.
- Complete the installation of any barrier screen (required), surround, front, or doors.
- Turn the fireplace on in the Manual (Off) thermostat mode.
- Set the Flame Height to Hi.
- Set the Fan Speed Control to Level 3.
- Run the fireplace with these settings for a minimum of 2 hours.
- Turn the fireplace off and let it cool.

3.1.1.2 Step 2: High Heat Curing Cycle

- Turn the fireplace on in the Manual (Off) thermostat mode.
- Set the Flame Height to Hi.
- Set the Fan Speed Control to Off.
- Run the fireplace with these settings until curing odors have diminished.
- When odors have diminished leave the fireplace turned on and continue to Step 3.

3.1.1.3 Step 3: Final Curing Cycle

- With the fireplace still turned on from Step 2.
- Set the Fan Speed Control to the lowest setting Level 1.
- If any new curing odors are detected continue to run the fireplace with this setting until the curing odors have diminished.

ATTENTION: Slight odors may still be noticeable on future startups of the fireplace. These will diminish over time as the fireplace is used.

3.1.1.4 Additional Curing Information

It is not unusual for a fireplace to require more than 10 continuous hours on high for curing odors to diminish. There are variables that can extend or shorten the curing time such as decorative fronts, doors, facing materials and their application.

Finish materials around the fireplace are subject to high temperatures. Finishing materials used over the fireplace in the non-combustible zone can see temperatures around 350° F. Materials used around the fireplace must be rated for these temperatures. Failure to use adequate materials can result in odor problems. Please refer to [Suitable Mantel, Facing & Hearth Pad Materials](#) of this manual for information on appropriate finishing materials.

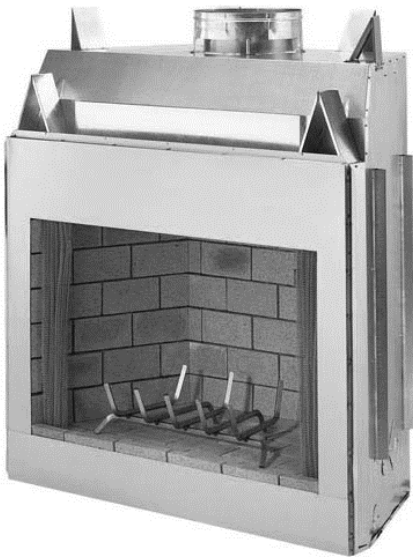
Please be aware that any material used around the fireplace will heat up and has the potential to cause odor issues. Adhesives, glue, wall substrate, wall finish material, paints and polishes are common materials that if used incorrectly will cause odor issues. Mendota is not responsible for any odor issues caused by materials used around the fireplace.

3.2 MECHANICAL TECHNICAL REFERENCES

3.2.1 Install Only in Woodburning fireplaces

This Mendota Insert must be installed and serviced by a qualified installer, service agency, or the gas supplier. This Gas Fired Insert Heater can only be installed inside a Masonry Woodburning Fireplace cavity or inside a Factory Built Zero Clearance Woodburning Fireplace Cavity. For refacing around an existing Masonry Fireplace or a Factory Built Zero Clearance Woodburning Fireplace, see [Re-facing a Woodburning Fireplace](#).

WARNING: Do not attempt to install this Gas Fired Insert Heater inside any cavities other than a Masonry Woodburning Fireplace cavity or a Factory-Built Zero Clearance Woodburning Fireplace cavity. Doing so will lead to a house fire which can lead to property damage, physical injury and possible loss of life and will nullify and void all applicable warranty or claims.




Factory Built ZC Woodburning Fireplace



Masonry Woodburning Fireplace

3.2.2 Listing Label

The listing label is located in the air gap on the left side of the Insert between the glass frame and outer edge of the Insert. It is secured to a chain and loosely inserted in the left air gap and can be pulled out to be viewed.



MENIOTA[®]


NORTH AMERICA'S LUXURY FIREPLACE

⚠ DANGER

HOT GLASS WILL CAUSE BURNS.
DO NOT TOUCH GLASS UNTIL COOLED.
NEVER ALLOW CHILDREN TO TOUCH GLASS.

VITRE CHAUDE. RISQUE DE BRÛLURES. NE TOUCHEZ PAS UNE VITRE NON RÉFROIDIE.
NE LASSEZ JAMAIS UN ENFANT TOUCHER LA VITRE.

A barrier designed to reduce the risk of burns from the hot viewing glass is provided with this appliance and must be installed for the protection of children and other at-risk individuals.
L'écran pare-éclats fourni avec ce foyer réduit le risque de brûlure en cas de contact accidentel avec la vitre chaude et doit être installé pour la protection des enfants et des personnes à risques.



Intertek
W/N 24350

DIRECT VENT GAS FIREPLACE HEATER
(POÈLE AU GAZ HOMOLOGUÉ, À AÉRATION DIRECTE)
NOT FOR USE WITH SOLID FUEL
(NE DOIT PAS ÊTRE UTILISÉ AVEC UN COMBUSTIBLE SOLIDE)

MANUFACTURED BY (FABRIQUÉ PAR):
JOHNSON GAS APPLIANCE CO. HIAWATHA, IOWA
CERTIFIED FOR CANADA (HOMOLOGUÉ POUR LE CANADA)
CERTIFIED TO (CERTIFIÉ ANS) Z21.88-2019(R2024) - CSA
2.33-2019(R2024) CATEGORY II APPLIANCE

Refer to the Intertek Directory of Building Products (<https://bpdirectory.intertek.com>) for detailed information.
Consultez l'Intertek Directory of Building Products (<https://bpdirectory.intertek.com>) pour des informations

WARNING: IMPROPER INSTALLATION, ADJUSTMENT, ALTERATION, SERVICE OR MAINTENANCE CAN CAUSE PROPERTY DAMAGE, PERSONAL INJURY, OR LOSS OF LIFE. REFER TO THE OWNER'S INFORMATION MANUAL PROVIDED WITH THIS APPLIANCE. INSTALLATION AND SERVICE MUST BE PERFORMED BY A QUALIFIED INSTALLER. THIS VENTED GAS APPLIANCE IS NOT FOR USE WITH AIR FILTERS. FOR USE ONLY WITH GLASS BARRIER Part no. AA-11-03118

MISE EN GARDE: INSTALLATION, RÉGLAGE, MODIFICATION, ENTRETIEN OU DÉPANNAGE NON APPROPRIÉS POURRONT CAUSER DES BLESSURES OU DES DOMMAGES MATÉRIELS. RÉFÉREZ-VOUS AU MANUEL DU PROPRIÉTAIRE FOURNI AVEC CET APPAREIL. POUR ASSISTANCE OU RENSEIGNEMENTS COMPLÉMENTAIRES, VEUILLEZ CONSULTER UN INSTALLATEUR EXPÉRIMENTÉ, UNE AGENCE DE DÉPANNAGE/ENTRETIEN OU VOTRE COMPAGNIE GAZIÈRE. POUR UTILISATION AVEC LES PORTES EN VERRE CERTIFIÉE L'APPAREIL SEULEMENT. NE PAS OPÉRER AVEC LE VERRIÈRE ENLEVÉ, CRAQUELURE, BRISE.

WARNING: DO NOT OPERATE THE APPLIANCE WITH GLASS FRONT REMOVED, CRACKED OR BROKEN. REPLACEMENT OF THE PANEL(S) SHOULD BE DONE BY A LICENSED OR QUALIFIED SERVICE PERSON. FOR USE WITH GLASS DOORS CERTIFIED WITH THE APPLIANCE ONLY. AVERTISSEMENT: NE PAS UTILISER L'APPAREIL SI LE PANNEAU FRONTAL EN VERRE N'EST PAS EN PLACE, EST CRAQUÉ OU BRISE. CONFIEZ LE REMPLACEMENT DU PANNEAU À UN TECHNICIEN AGRÉÉ. SEULES DES PORTES CERTIFIÉES POUR CET APPAREIL DOIVENT ÊTRE UTILISÉES.

	<input type="checkbox"/> NATURAL GAS (GAS DE PÉTROLE)	<input type="checkbox"/> LP GAS (GAS NATUREL LIQUÉFIÉ (GPL))
INPUT RATING (BTR/HR) 0-2000ft (0-610m) (ENTRÉE NOMINALE)	29,000	29,000
MIN. INPUT RATING (BTU/HR) 0-2000ft (0-610m) (MINIMALE ENTRÉE NOMINALE)	8,400	9,100
ORIFICE 0-2000ft (0-610m) (PAN/LEFT/RIGHT)	50/52/52	62/63/63
ORIFICE 2000-4500ft (610-1370m) (PAN/LEFT/RIGHT)	50/52/52	62/63/63
INPUT RATING (BTU/HR) 2000-4500ft (610-1370m)	29,000	29,000
MAXIMUM OUTPUT (BTU/HR) (SORTIE MAXIMALE)	22,556	22,556
MANIFOLD PRESSURE (in. w.c./kPa) (PRESSION AU COLLECTEUR)	3.5 (0.87)	10.0 (2.5)
MANIFOLD PRESSURE, LOW (in. w.c./kPa) (PRESSION AU COLLECTEUR MINIMALE)	1.6 (0.4)	6.4 (1.64)
MINIMUM INLET PRESSURE (in. w.c./kPa) (PRESSION D'ENTRÉE MINIMALE)	5.0 (1.24)	11.0 (2.74)

THIS APPLIANCE IS ONLY FOR USE WITH THE TYPE OF GAS INDICATED ON THE RATING PLATE AND MAY BE INSTALLED IN AN AFTERMARKET, PERMANENTLY LOCATED, MANUFACTURED HOME (USA ONLY) OR MOBILE HOME, WHERE NOT PROHIBITED BY LOCAL CODES. SEE OWNER'S MANUAL FOR DETAILS. THIS APPLIANCE IS NOT CONVERTIBLE FOR USE WITH OTHER GASES, UNLESS A CERTIFIED KIT IS USED.
CET APPAREIL DOIT ÊTRE UTILISÉ UNIQUEMENT AVEC LE TYPE DE GAZ INDIQUÉ SUR LA PLAQUE SIGNALÉTIQUE. CET APPAREIL PEUT ÊTRE INSTALLÉ DANS UNE MAISON PRÉFABRIQUÉE OU MOBILE (É.-U. SEULEMENT) INSTALLÉE À DEMEURE SI LES RÉGLEMENTS LOCAUX LE PERMETTENT. VOIR LA NOTICE DE L'UTILISATEUR POUR PLUS DE RENSEIGNEMENTS. CET APPAREIL NE PEUT PAS ÊTRE UTILISÉ AVEC D'AUTRES GAZ SAUF SI UNE TROUSSE DE CONVERSION CERTIFIÉE EST FOURNIE.

UNIT TO SIDEWALL	18in. (457 mm)	8" MANTLE ABOVE DISCHARGE AIR OPENING	12in. (305 mm)
------------------	----------------	---------------------------------------	----------------

CAUTION: HOT WHILE IN OPERATION. DO NOT TOUCH. KEEP CHILDREN, CLOTHING, FURNITURE, AND FLAMMABLE LIQUIDS OR VAPORS AWAY. KEEP GASOLINE AND OTHER LIQUIDS HAVING FLAMMABLE VAPORS AWAY.
ATTENTION: L'APPAREIL EST CHAUD LORSQU'IL FONCTIONNE. NE PAS TOUCHER L'APPAREIL. SURVEILLER LES ENFANTS. GARDER

ELECTRICAL RATING (COURANT NOMINAL):	120 VOLTS	60 HERTZ	LESS THAN 1.5 AMPERES
--------------------------------------	-----------	----------	-----------------------

DO NOT REMOVE OR COVER THIS LABEL
VEUILLEZ A NE JAMAIS ENLEVER NI DISSIMULER CETTE ÉTIQUETTE

65-01-01466

MODEL: FV33i FireIn

SN: 5391-

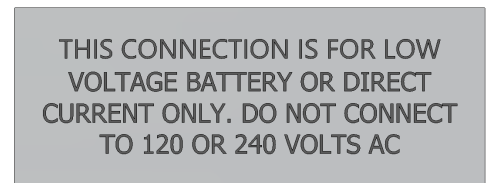
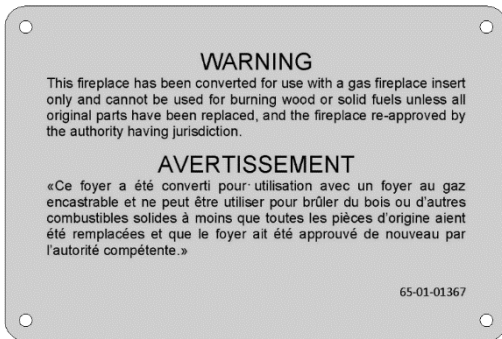
Figure 2-1 Listing Label

Serial Label Location

3.2.3 Other Warning and Caution Labels

All warning labels are located as specified.

Make certain you heed all the warning and caution statements during installation and maintenance of this appliance.



This insert must be installed in an existing masonry or factory built ZC wood burning fireplace with a minimum front opening of 29.625" wide by 19" tall. A minimum depth of 17.625" is required with a flat surround. As the surround return depth increases the required opening depth decreases. See manual for additional information. The existing chimney flue must be large enough to allow a 4" exhaust and 3" intake flex pipe to run from the fireplace to the vent cap.

Ce doit être insert dans un installé ou existantes maçonnerie en usine de zc foyer à bois avec un minimum de l'ouverture avant 29,625" de large 19" tall. Une profondeur minimum de 17,625" avec un est requise plat surround. Comme le retour surround profondeur augmente le profondeur de l'ouverture requise diminue. Manuel pour plus d'informations voir.

La cheminée doit être existant assez grande pour permettre 4" échappement et 3" aspiration flexible se run du foyer au cap event.

This appliance must be properly connected to a venting system in accordance with the manufacturer's installation instructions.

Cet appareil doit être correctement raccordé à un système d'évacuation, conformément aux instructions du fabricant.

65-01-01369

CAUTION

Hot while in operation. Do not touch. Severe burns may result. Keep children, clothing, and furniture away. Keep gasoline and other liquids having flammable vapors away.

ATTENTION

L'appareil est chaud lorsqu'il fonctionne. Ne pas toucher l'appareil. Risque de brûlures graves. Surveiller les enfants. Garder les vêtements et les meubles loin de l'appareil. Garder l'essence ou autres liquides produisant des vapeurs inflammables loin de l'appareil.

Keep burner and control compartment clean. See Installation and Operating Instructions accompanying the appliance.

S'assurer que le brûleur et le compartiment des commandes sont propres. Voir les instructions d'installation et d'utilisation qui accompagnent l'appareil.

WARNING

Improper installation, adjustment, alteration, service, or maintenance can cause injury or property damage. Refer to the owner's information manual provided with this appliance. For assistance or additional information consult a qualified installer, service agency, or the gas supplier.

ADVERTISSEMENT

Une installation, un réglage, une modification, une réparation ou un entretien mal effectué peut causer des dommages matériels ou des blessures. Voir la notice de l'utilisateur qui accompagne l'appareil. Pour de l'aide ou des renseignements supplémentaires, consultez un installateur, un technicien agréé ou le fournisseur de gaz.

WARNING

If the vent system for this appliance is disconnected for purposes of cleaning or inspection, the vent system must be properly reinstalled and resealed prior to firing of this device.

ADVERTISSEMENT

Si le système d'évacuation de cet appareil est déconnecté à des fins de nettoyage ou d'inspection, le système d'évacuation doivent être correctement scellé et remis en avant tir de cet appareil.

65-01-01452

WARNING

FOR VERTICAL VENT PIPE APPLICATIONS

Always maintain 1" clearance between vent pipe & combustibles.

FOR HORIZONTAL VENT PIPE APPLICATIONS

Always maintain 3" clearance from top of vent pipe and 1" clearance from side & bottom of vent pipe to combustibles

ADVERTISSEMENT

INSTALLATIONS À CONDUIT D'ÉVACUATION VERTICAL

Toujours maintenir un dégagement de 25 mm (1 po) entre le conduit et les matières combustibles.

INSTALLATIONS À CONDUIT D'ÉVACUATION HORIZONTAL

Toujours maintenir un dégagement de 76 mm (3 po) sur le dessus du conduit et de 25 mm (1 po) sur les côtés et le dessous du conduit par rapport aux matières combustibles.

WARNING

This heater must be properly connected to venting system in accordance with the manufacturer's installation instructions. Operation of this heater when not connected to a properly installed and maintained venting system can result in carbon monoxide (CO) poisoning and possibly death.

ADVERTISSEMENT

Cet appareil de chauffage doit être correctement raccordé à un système d'évacuation conformément aux instructions d'installation du fabricant. Le fonctionnement de cet appareil s'il n'est pas raccordé à un système d'évacuation correctement installé et entretenu présente un danger d'intoxication au monoxyde de carbone (CO), voire de mort.

CAUTION

Do not operate the appliance with glass removed, cracked, or broken. Replacement of the panel(s) should be done by a licensed or qualified service person.

ATTENTION

Ne pas utiliser l'appareil si le panneau frontal en verre n'est pas en place, est craqué ou brisé. Confiez le remplacement du panneau à un technicien agréé.

65-01-01452

READ ALL WARNINGS AND MANUAL INSTRUCTIONS BEFORE INSTALLING!!

LISEZ TOUS LES AVERTISSEMENTS ET INSTRUCTIONS DU MANUEL AVANT L'INSTALLATION !!

This appliance must be installed in accordance with local codes, if any, if not, follow the National Fuel Gas Code, ANSI Z223.1 or Canadian Installation Codes, CAN/CGA B149

CAUTION

Hot while in operation. Do not touch. Severe burns may result. Keep children, clothing, and furniture away. Keep gasoline and other liquids having flammable vapors away.

NOTICE

Initial heater start-up will cause some "off gassing" of adhesives, gasket binders, paint, and other materials. Most nuisance odors will be eliminated after the first two hours of operation. However, slight amounts may be present during the first 24 hours of initial operation.

WARNING

This insert must be installed and serviced by a qualified installer, service agency, or the gas supplier. This insert must be installed into a non-combustible masonry wood burning fireplace or a factory built wood burning fireplace. Failure to follow all required clearances and installation instructions in the manual can result in a fire of explosion causing property damage or personal injury.



Installer l'appareil selon les codes ou règlements locaux, ou, en l'absence de tels règlements, selon les Codes d'installation CAN/CGA-B149

ATTENTION

L'appareil est chaud lorsqu'il fonctionne. Ne pas toucher l'appareil. Risque de brûlures graves. Surveiller les enfants. Garder les vêtements et les meubles loin de l'appareil. Garder l'essence ou autres liquides produisant des vapeurs inflammables loin de l'appareil.

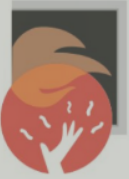
REMARQUER

Initial chauffe démarrage cause certains "off gassing" des colles, joint de liants, de la peinture et autres matériaux. La plupart des nuisances d'odeurs seront éliminées après les deux premières heures de fonctionnement. Toutefois, de légères quantités mal être présent pendant les 24 premières heures de l'opération initiale.

ATTENTION

Cet encastable doit être installé et entretenu par un installateur qualifié, une agence de service ou le fournisseur de gaz. Cet encastable doit être installé dans un foyer au bois de maçonnerie incombustible ou un foyer au bois préfabriqué. Le non-respect de tous les décalages et instructions d'installation requis dans le manuel peut entraîner un incendie ou une explosion causant des dommages matériels ou des blessures.

! DANGER



HOT GLASS WILL CAUSE BURNS. DO NOT TOUCH GLASS UNTIL COOLED. NEVER ALLOW CHILDREN TO TOUCH GLASS.

A barrier designed to reduce the risk of burns from the hot viewing glass is provided with this appliance and shall be installed for the protection of children and other at-risk individuals.



! WARNING

This product and the fuels used to operate this product (liquid propane or natural gas), and the products of combustion of such fuels, can expose you to chemicals including benzene, which is known to the State of California to cause cancer and reproductive harm. For more information, go to: www.P65Warnings.ca.gov.



NATIONAL FIREPLACE INSTITUTE
CERTIFIED
www.nficertified.org

We recommend that our gas Hearth products be installed and serviced by professionals who are certified in the U.S. by the National Fireplace Institute® (NFI) as NFI Gas Specialists.

! DANGER



VITRE CHAUDE - RISQUE DE BRÛLURES. NE TOUCHEZ PAS UNE VITRE NON REFROIDIE. NE LAISSEZ JAMAIS UN ENFANT TOUCHER LA VITRE.

L'écran pare-étincelles fourni avec ce foyer réduit le risque de brûlure en cas de contact accidentel avec la vitre chaude et doit être installé pour la protection des enfants et des personnes à risques.

3.2.4 FV33i Insert Ratings Information

This Mendota insert must be installed in an existing masonry wood burning fireplace or a factory built ZC wood burning fireplace. This Mendota insert must be installed and serviced by a qualified installer, service agency, or the gas supplier.

MINIMUM FIREPLACE CAVITY SIZE REQUIREMENT: 29-5/8" wide x 19" high x 17-5/8" deep

ELECTRICAL REQUIREMENTS: 120 Volts AC, 1.5 Amps (minimum line voltage allowed 110 Volts AC) required

GAS SUPPLY PRESSURE: NAT. GAS: 7" W.C. [5.0" W.C. MIN., 11" W.C. MAX.]

L.P. GAS: 11" W.C. [11" W.C. MIN., 13" W.C. MAX.]

LP GAS CONVERSION KIT: This insert comes configured for use with Natural Gas. To convert the insert for use with LP Gas, install: LP gas conversion kit HA-142-00027.

GAS INPUT RATES	High Fire	Low Fire
BTUH NAT. GAS	29,000	8,400
BTUH L.P. GAS	29,000	9,100

ORIFICE SIZES..... PAN BURNER: #50 NAT / #62 LP; ANGLED BURNER LEFT & RIGHT #52 NAT / #63 LP

P.4 EFFICIENCY78%

FLUE VENTING CO-LINEAR - 3" diameter EXHAUST & 3" diameter AIR INLET

VENTING.....10 Feet Minimum Vent Length & 50 Feet Maximum Vent Length.

- 3" X 3" Liners & Vent Caps required.
- Caps sold by Mendota are recommended.
- Liners and Caps From BDM, Duravent, ICC, Olympia, and RLH are also approved.

WARNING: "Shallow Profile" vent caps offered by any brand are not approved for use with Mendota Gas Inserts.

NET WEIGHT.....160 lbs. (Team lifting recommended)

SAFETY SCREEN: A safety screen that has been certified for use with this insert must be installed on the insert when it is in use. The safety screen will prevent accidental contact with the glass door face, which could result in a severe burn.

SAFETY: AGA certified, electronic ignition IPI system activated with thermostatic remote control.

CERTIFIED TO: ANSI Z21.88-2019(R2024) / CSA2.33-2019(R2024)

This Mendota Gas Fireplace Insert has been tested and certified by:
Intertek Testing Services, 8431 Murphy Drive, Middleton, WI 53562

3.2.5 Normal Surface Temperatures

WARNING: The supplied barrier screen must be installed always when this fireplace is in operation. Do not place any object directly in front (within 60" from barrier screen surface) or directly above (on the front edge of the mantel). This is a heating appliance. Areas directly in front and above this appliance will be very hot and can damage most household objects if placed too close. Keep Furniture pieces at least 60" away in front of the barrier screen surface.

HINT: To greatly reduce surface temperatures surrounding this Insert during operation, Mendota recommends operating the integrated convection air blowers which aid in cooling all surrounding surfaces.

Mendota Inserts comply with ANSI Z21.88/CSA2.33 Standards for maximum surface temperatures (ambient plus 117°F) on exposed "combustible" surfaces adjacent to the Insert.

Be aware that surfaces in front of, above and adjacent to this heater appliance can be too hot to touch. As long as all required clearances to combustibles are met and the required finishing materials are used, this appliance will perform safely. Note that the exposed surfaces immediately surrounding the Insert can have surface temperatures that are too hot to touch. This level of surface temperature is considered normal and does not indicate any hazardous situation.

3.2.5.1 Hearth Pad Temperatures

The top exposed surface of the noncombustible hearth pads can reach a temperature that is too hot to touch (as high as 250°F). This is considered normal.

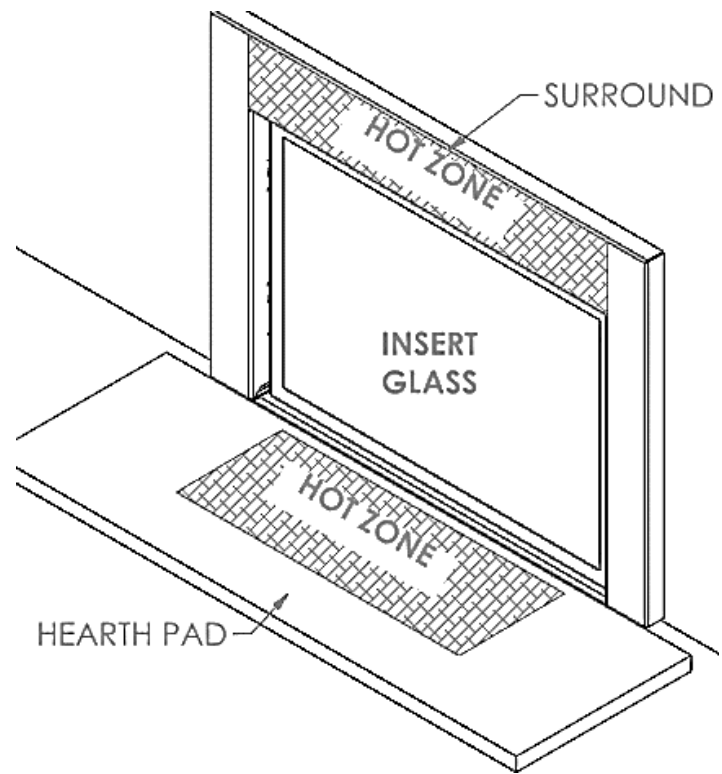
3.2.5.1 Surround Face Temperatures

The steel surround installed on this Insert is designed to cover the gap between the Insert body and the existing wood burning fireplace.

Areas of the steel surround directly above the top convection air gap of this Insert can be very hot (too hot to touch (exceeding 250°F)) and is deemed normal.

3.2.5.2 Mantel Temperatures

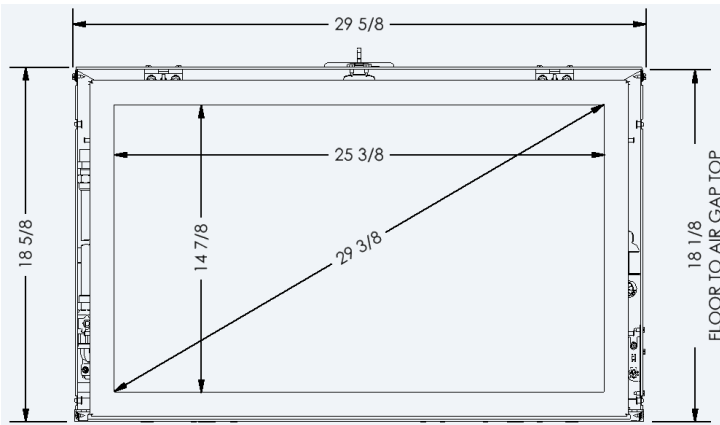
Mendota Inserts comply with ANSI Z21.88/CSA2.33 standards for maximum surface temperatures on exposed "combustible" surfaces adjacent to the Insert. Be aware that surface in front of, above and adjacent to this heater appliance can be too hot to touch. As long as all required clearances to combustibles are met and the required finishing materials are used, this appliance will perform safely. Note that the exposed surfaces immediately surrounding the Insert can have a surface temperature too hot to touch. This level of surface temperatures is considered normal and does not indicate any hazardous situation.



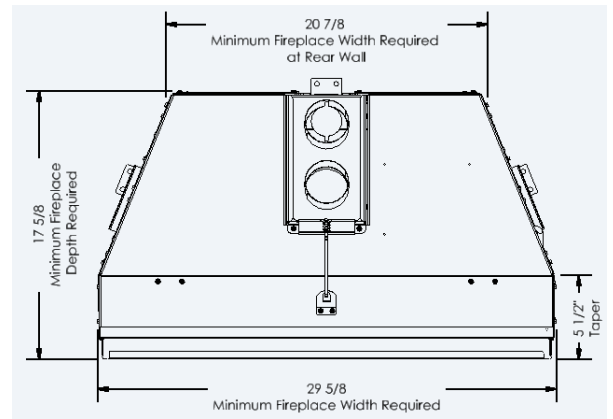
Hot Zones

WARNING: Surfaces surrounding this Insert can be very hot to the touch during operation. Carefully supervise children and pets while this Insert is operating.

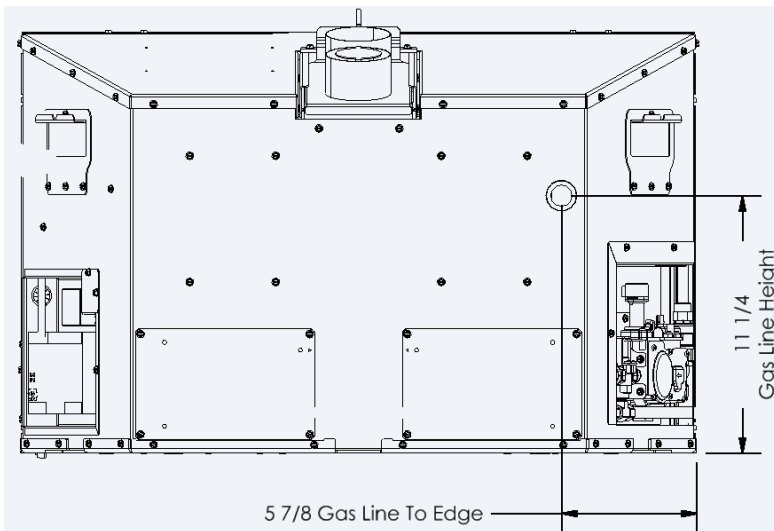
3.2.6 Overall Insert Dimensions



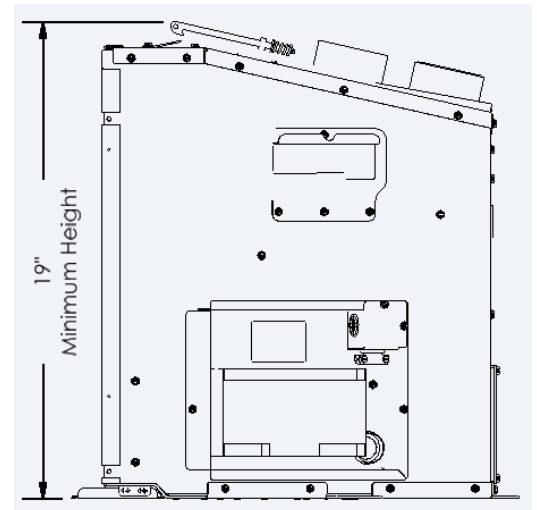
Front View



Top View



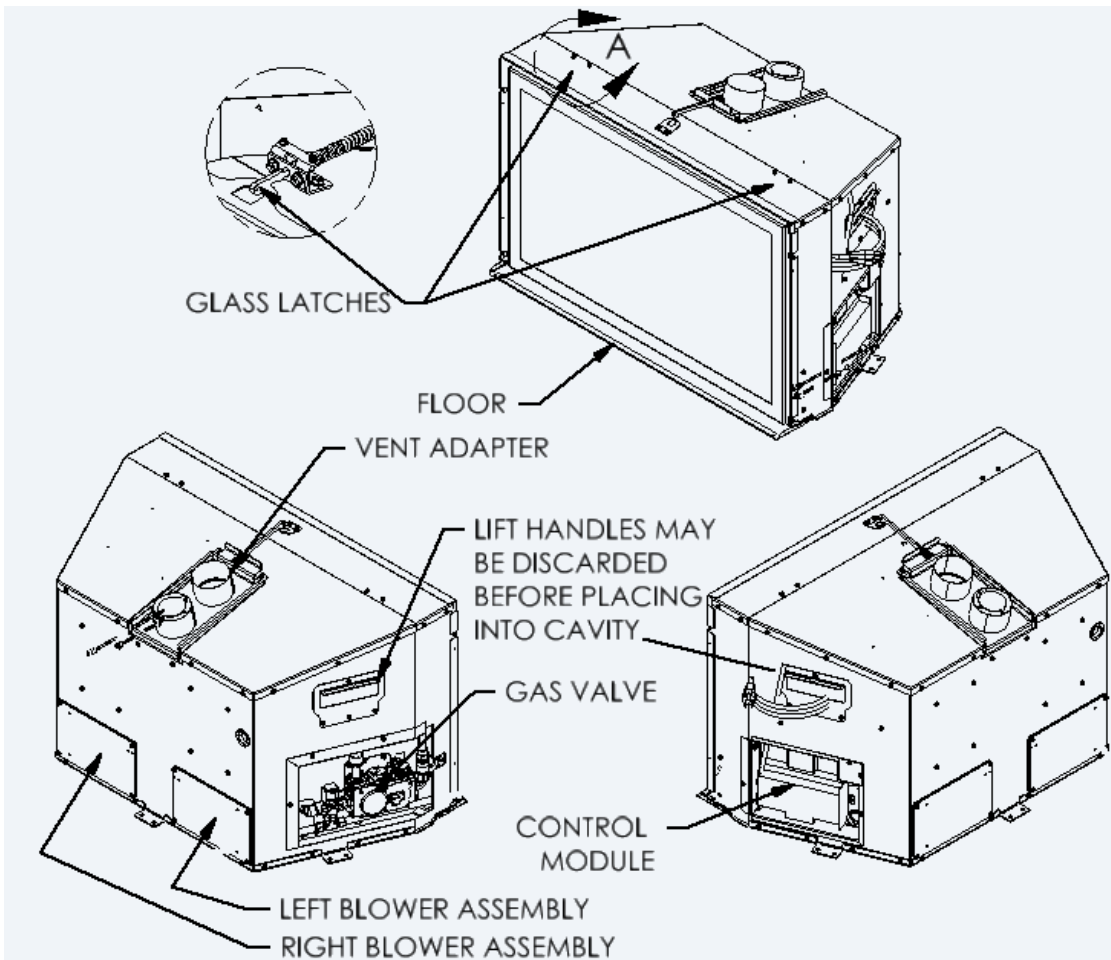
Back View



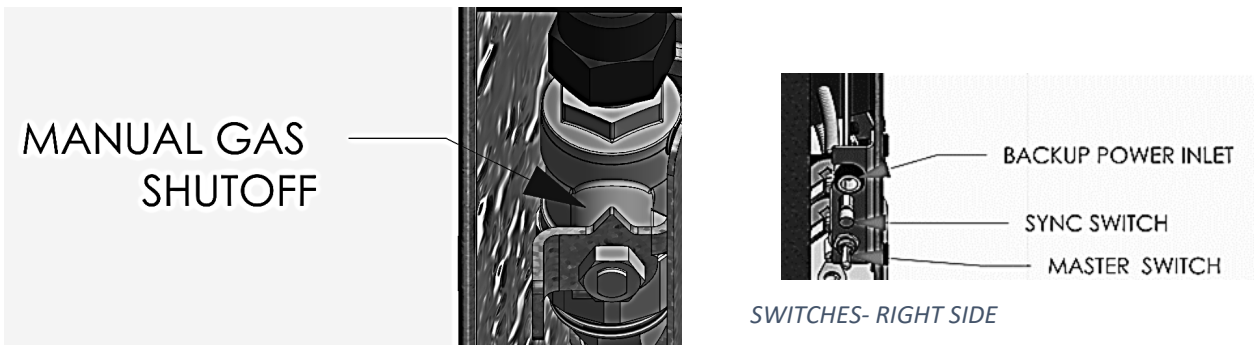
Right Side View

3.2.7 Insert Features Identification

See [Insert Features Diagram](#) , below. Identify the features included with this Insert and their locations.



Insert Features Diagram

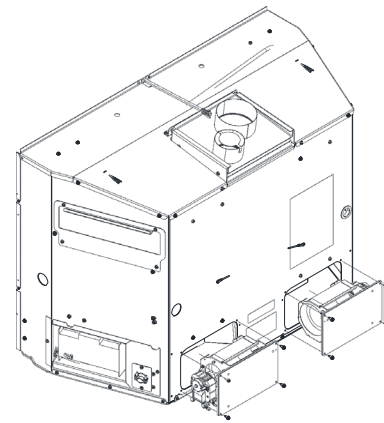


MANUAL GAS SHUTOFF - LEFT SIDE

3.2.7.1 Convection Blower System

Dual blowers are provided as standard equipment with this FV33

i Insert. The dual blowers have an air output rating of 190 CFM (in free air). This Insert is designed to operate with the blowers turned off or on. Turning the blower on aids in distributing and circulating heat to the room this Insert is installed in.



Convection Blower System

3.2.7.2 Blower Operation

The remote-control system supplied with this appliance can turn the blowers on or off and regulate the speed of the blowers in six levels.

NOTE: In the normal thermostat mode and the smart mode, there will be a five-minute delay before the blower comes on and a 12-1/2 minutes extended blower operation after fireplace flames turn off.

3.2.7.3 Lifting Handles

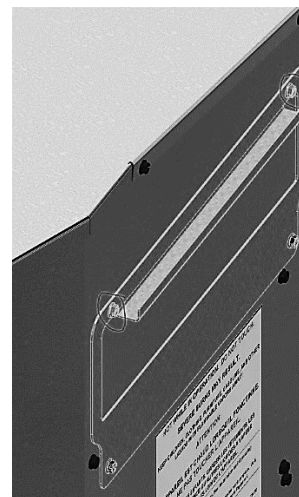
Two lifting handles, one on each side, are provided. The lifting handles make it easy for two individuals to lift this Insert.

WARNING: The lifting handles are designed only for lifting and moving the fireplace short distances. Such as lifting the fireplace onto a transport cart or shifting the fireplace during installation. Do not attempt to carry this fireplace by the lifting handles only.

Note: Team lifting is recommended.

To use the lifting handles, remove two screws that secure the upper section of the lifting handles and pull top section outward. Slide hands into the opening of the lifting handle, grip top U-shaped section tightly and lift.

Once this Insert is moved to its final location, you may remove and discard the lifting handles, if necessary, to reduce the width of this Insert.



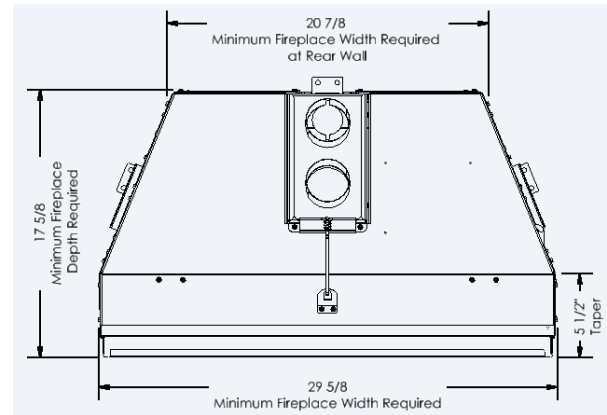
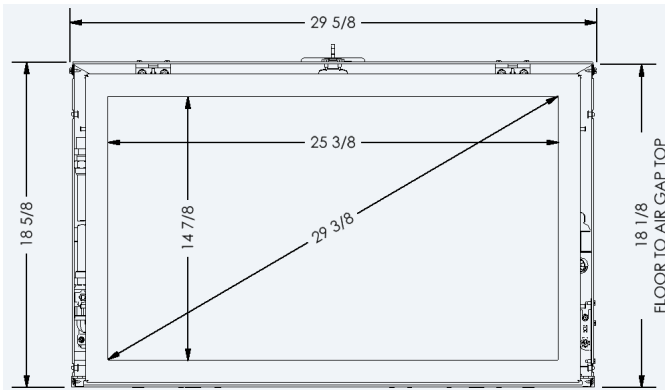
Lifting Handles

3.2.8 Minimum Fireplace Size Requirements

To install this gas-fired Insert inside a wood burning fireplace, minimum width, height and depth requirements apply, see table below. The required minimum width and height are constant. However, the depth required varies with the surround outer edge depth. Decide which surround outer edge depth to use based on the available depth.

Minimum Width	Minimum Height	Surround Outer Edge Depth	Minimum Depth Required
29-5/8"	19"	Flat	17-5/8"
29-5/8"	19"	1/2"	17-3/8"
29-5/8"	19"	1-3/4"	15-7/8"

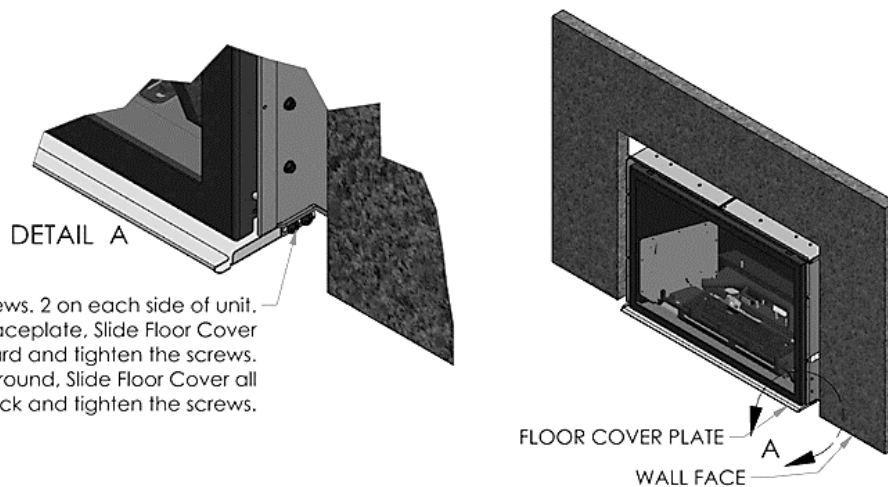
Table 1: Minimum Fireplace Size Requirements



3.2.8.1 Floor Cover Plate

A floor cover plate is supplied with this Insert. Do not remove this floor cover plate for any reason. The cover plate position is adjustable, front to back, by 1/4".

To adjust the floor cover plate position, loosen four Philips head screws (do not remove, loosen only) and adjust the floor cover plate position dependent on if you will be using a decorative door kit faceplate surround or a Basix surround. For a faceplate for door kits, slide the floor cover plate forward fully and tighten the screws. For a Basix surround, push the floor cover plate rearward fully and tighten the screws.



1. Loosen Screws. 2 on each side of unit.
2. For a Door Kit Faceplate, Slide Floor Cover all the way forward and tighten the screws.
3. For a Basix Surround, Slide Floor Cover all the way back and tighten the screws.

FLOOR COVER PLATE ADJUSTMENT

3.2.8.2 Surround Outer Edge Depth

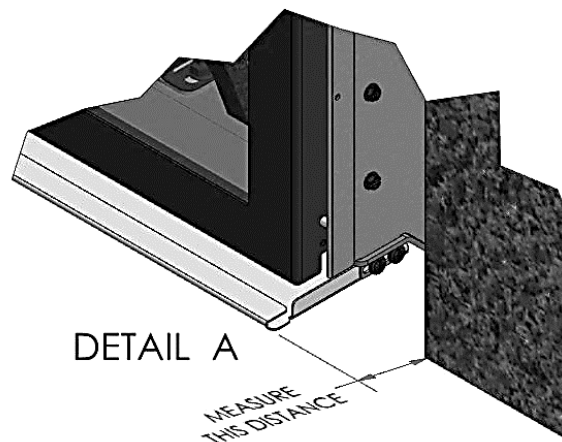
For standard and stocked surrounds, see [Minimum Fireplace Size Requirements](#). While the minimum width and height requirements remain unchanged regardless of the surround type chosen, the surround outer edge depth chosen does affect the minimum required depth. As the surround outer edge depth increases, the minimum required fireplace depth decreases.

To precisely determine the required surround outer edge depth to fully fit this Insert into the fireplace cavity, follow these procedures:

1. Adjust the floor cover plate position. Slide all the way forward for a faceplate surround application and slide all the way rearward for a Basix surround application.
2. Slide Insert inside fireplace cavity as far as possible.
3. Identify the front edge of the floor cover plate.
4. Measure from the front edge of the floor cover plate to the face of the adjacent wall surface that the surround outer edge will butt against. This measurement will be equal to the required outer edge depth of the surround.

You should choose a surround with an outer edge depth equal to or deeper than the measured distance in step 4,

above. If the measured distance is greater than 1-3/4", you must consider a "custom surround" with a deeper outer edge depth. Mendota offers stock surrounds with outer edge depths of 5/16", 1/2" and 1-3/4". Other outer edge depths are offered as custom surrounds.



Measuring for Surround Outer Edge Depth

3.2.9 Surround and Decorative Fronts Information

3.2.9.1 Definition

A “Surround” is defined as the part that is designed to cover the outer edges gap between the Insert body and the existing Woodburning fireplace opening’s outer edges.

3.2.9.2 Types of Surrounds

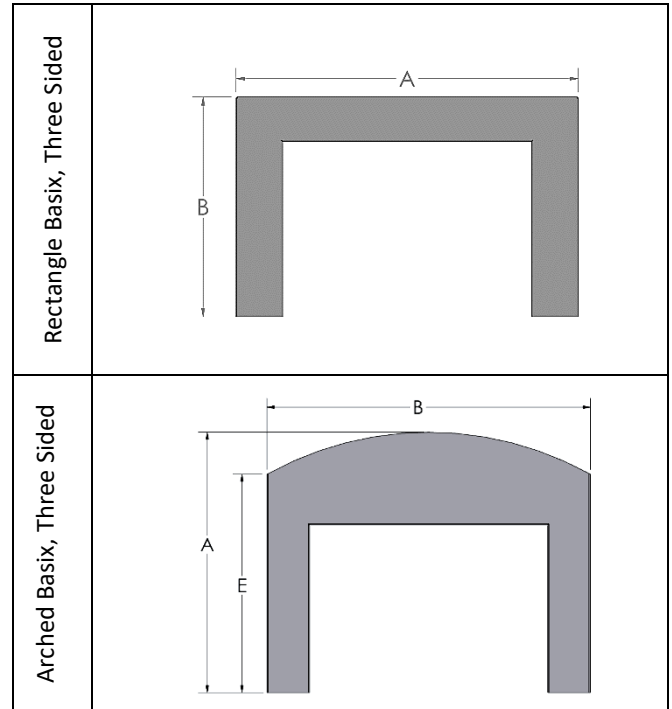
Three types of Surrounds are offered for this Mendota Insert:

- a. Basix Surrounds-Stock Items
- b. Faceplate Surrounds-Stock Items
- c. Custom Surrounds (Basix or Faceplate)

3.2.9.3 Basix Surrounds- Stock Items

Basix Surrounds are offered as stocked items in various sizes, shapes (rectangle and arched) and with three outer edge finish options. The deeper outer edge finishes allow installation of this Insert in cavities with shallower depths. Consult with your Mendota Dealer for specific details and availability. Use a Basix if installing one of these decorative options:

- a. Barrier Screen only, with no decorative option
- b. Traditions Decorative Front
- c. Grace Decorative Front (wide, narrow, arched or rectangle)
- d. Willowbrook Decorative Front (arched or rectangle)
- e. Solo Decorative Front
- f. Stella Decorative Front
- g. Rustique Decorative Front



Size	Width (in.) -A-	Height (in.) -B-	Outer Edge Return Option
SMALL	36"	24"	FLAT, ½", 1-3/4"
MEDIUM	40"	27"	FLAT, ½", 1-3/4"
LARGE	44"	31"	FLAT, ½", 1-3/4"
In addition to these stock sizes, other Basix Surrounds are also offered for applications with Grace Decorative Fronts. Consult with your Mendota Dealer for specifics and availability.			

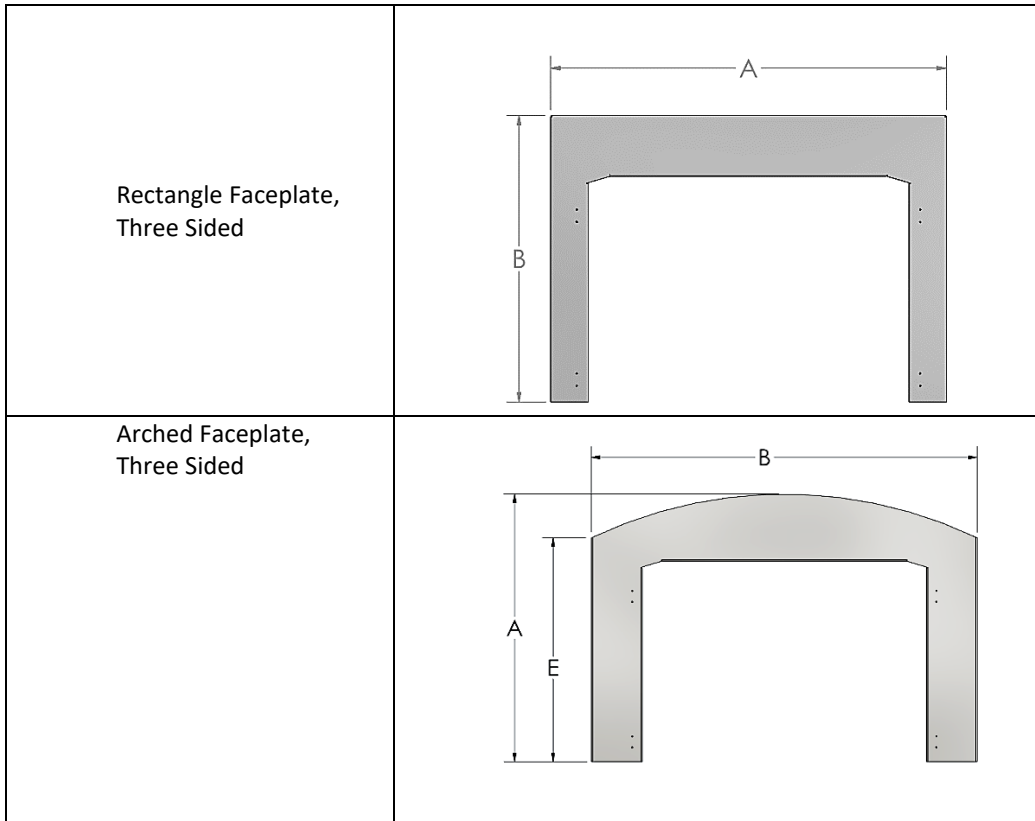
BASIX SURROUND SIZES

3.2.9.4 Faceplate Surrounds- Stock Items

Faceplate surrounds are offered as stocked items in various sizes, shapes (rectangle and arched) and with three outer edge finish options. The deeper outer edge finishes allow installation of this Insert in cavities of shallower depths. Consult with your Mendota Dealer for specific details and availability. Use if installing one of these decorative door options:

- a. Andover Door Kit
- b. Prairie Door Kit
- c. Bentley Door Kit
- d. Homestead Door Kit

e. Willow Door Kit



Size	Width (in.) -A-	Height (in.) -B-	Outer Edge Return Option
X-SMALL	SMALL	36"	24"
SMALL	MEDIUM	40"	27"
MEDIUM	LARGE	44"	31"

RECTANGLE FACEPLATE SURROUND SIZES

3.2.9.5 Surround Outer Edge Finish Options

The outer edge (flange) of a Basix or Faceplate surrounds are offered in various sizes:

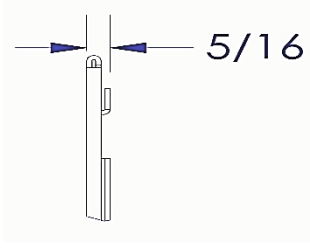
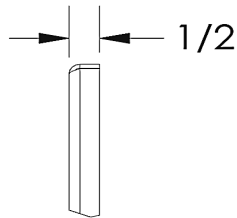
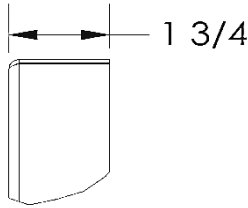
1. Flat outer edge: This type of outer edge is only available for rectangle shaped surrounds and uses a double hem bend edge designed to provide a flat outer edge appearance. The effective outer edge finish depth for the flat surround is 5/16".

Note: Flat outer edge finish is NOT available for Arch Shapes or other complex shaped Custom Surrounds.

2. 1/2" outer edge: This type of outer edge is available in either rectangle or arched shaped surrounds and any custom surround.
3. 1-3/4" outer edge: This type of outer edge is available in either rectangle or arched shaped surrounds and any custom surround.
4. Outer edge greater than 1/2" in any size up to 10": This type of outer edge is available for any custom surround.

3.2.9.6 Outer Edge Size vs Fireplace Depth Requirements

The minimum fireplace depth required in the existing wood burning fireplace to fit this Insert into will vary depending on the outer edge (flange) depth of the surround you select. As the outer edge (flange) depth increases, the minimum depth required to fit this Insert into will reduce proportionately.

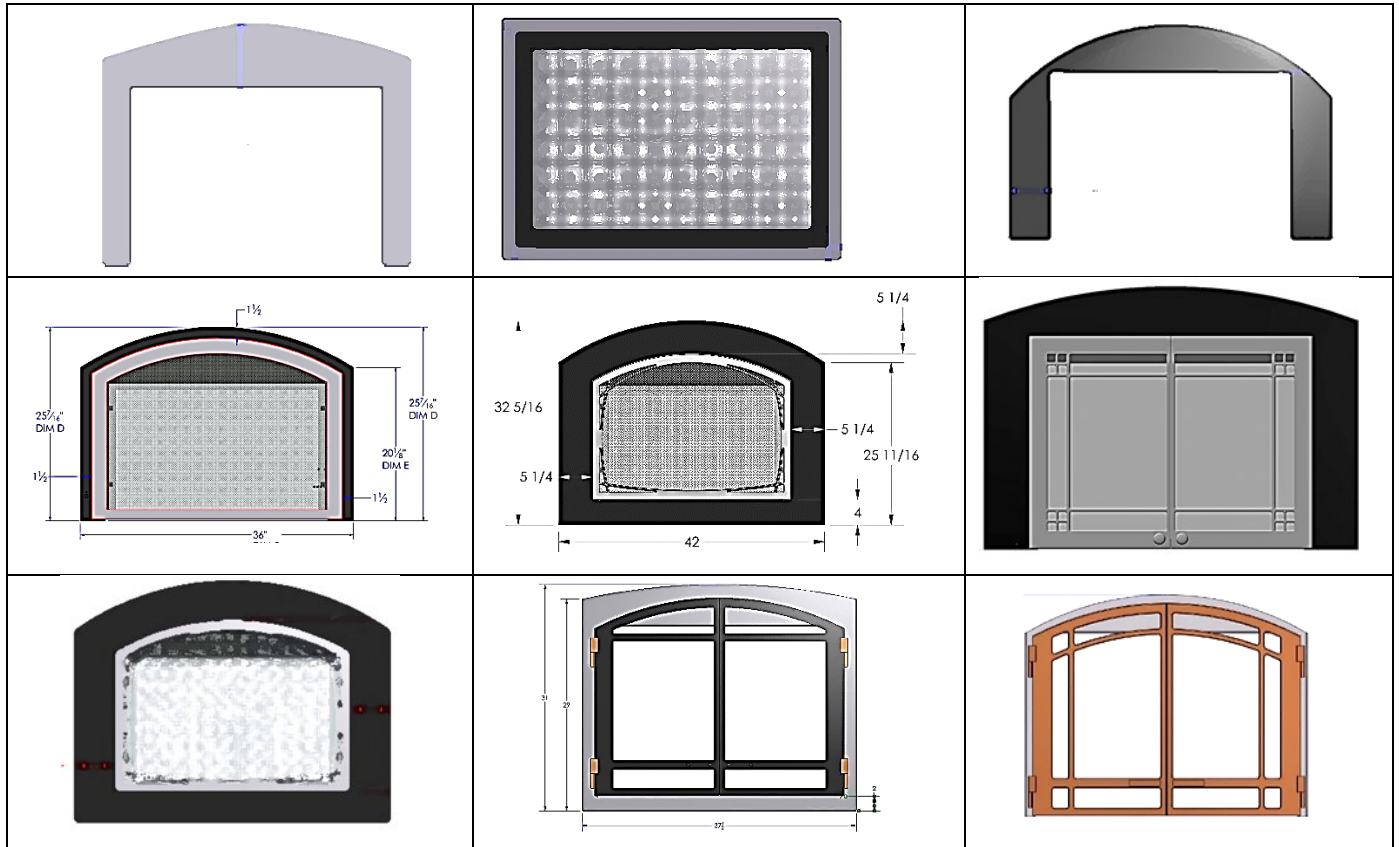
SURROUND OUTER EDGE DEPTH VS MINIMUM DEPTH REQUIREMENTS		
OUTER EDGE DEPTH	MINIMUM CAVITY DEPTH REQUIRED	OUTER EDGE DIMENSIONAL IMAGE
<p>FLAT (5/16")</p> <p>**NOT AVAILBLE ON ARCHED SURROUNDS **</p>	<p>17-3/4"</p>	
<p>1/2"</p>	<p>17-1/2"</p>	
<p>1-3/4"</p>	<p>16"</p>	

SURROUND OUTER EDGE DEPTH vs MINIMUM FIREPLACE DEPTH REQUIREMENT

3.2.9.7 Custom Surrounds

Custom Surrounds are offered in rectangle, arched or other complex shapes and can be ordered for any decorative front that uses a Basix Surround or a door kit that uses a faceplate surround. Consult with your Mendota Dealer for specific details and availability.

Examples of Custom Surrounds (Some shown with decorative fronts)



The examples above show that custom surrounds (Basix or Faceplates) can be made in various shapes and sizes depending on the cosmetic need. Outer edge return depths can also be made to a particular size to meet installation depth needs.

You may request a rendering prior to ordering the custom which can show the decorative front of your choice on top of the custom surround. You may request a rendering with known dimensions, or you may supply the fireplace opening dimensions and request, as an example, equal reveal outside a Grace kit or a door kit. Mendota will provide you with a rendered image showing the exact size and shape. This is a value-added service.

For installations where the shape desired is complex, a 1:1 traced Template is recommended to be submitted to Mendota rather than vague dimensional values. Please note that custom surround which require a 1:1 template will also require some additional lead time due to the template shipment times.

3.2.10 Modifying ZC Woodburning Cabinets

This gas fired Insert may be installed in a ZC wood burning cabinet that has been modified by removing the refractory, glass doors, screen rails, screen mesh, and log grates.

The fireplace flue damper can be fully blocked open or removed for installation of the gas fireplace insert.

Smoke shelves, shields, and baffles may be removed if attached by mechanical fasteners.

Chimney cleanouts must fit properly.

Trim panels or surrounds shall not seal ventilation openings in the fireplace.

If the factory-built fireplace has no gas access hole(s) provided, an access hole of 1.5 in (37.5 mm) or less may be drilled through the lower sides or bottom of the firebox in a proper workmanship-like manner. This access hole must be plugged with non-combustible insulation after the gas supply line has been installed."

Cutting any sheet-metal parts of the fireplace, in which the gas fireplace insert is to be installed, is prohibited by Ansi Z21.88-2017 codes and other fire safety codes.

3.2.11 Clearances to Combustible Side Walls

The minimum distance required from the side edge of the visible glass to a combustible side wall is 18". Combustible side walls, mantel corbels, mantel legs and other combustible walls and decorative objects must fall behind a 45-degree line extending outward from the side edges of the visible glass unless such objects are more than 18" away from the visible side edges of the glass. See [Side Wall Clearances](#).

If the required clearance cannot be met to a pre-existing combustible side wall, an NFPA approved clearance reduction shield, metal, or ceramic board, must be added to the side wall.

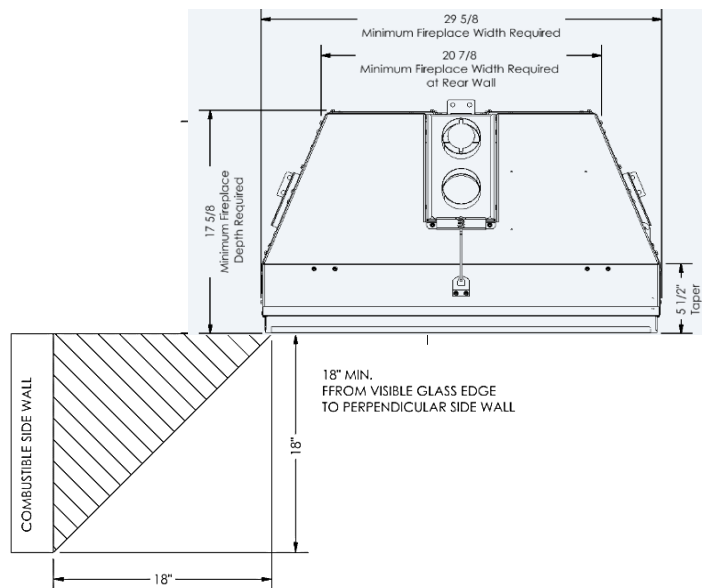
3.2.11.1 Horizontal Clearance Reduction by 66%

NFPA 211 Approved: Install 20-gauge or heavier steel shield that provides at least a 1" active airspace, on the combustible wall surface. To provide for active airflow, install at least 1" metal or ceramic standoffs or spacers between the metal shield and the combustible surface being protected. The bottom and top edges of the cavity between the metal shield and the combustible surface must be left open. The steel shield must be a minimum of 12" larger in each direction than the surface area of the source of heat; or if the surface being protected is smaller than surface area of the source of heat, this shield must be larger than the combustible surface in each direction.

By using this method of protection, if the required horizontal clearance was 12", the resulting clearance will be reduced by 66% to 4" between the heat source and the metal shield.

3.2.11.2 Horizontal Clearance Reduction by 50%

NFPA 211 Approved: Install an R-1 rated ceramic board or R-1 rated mineral board on the wall you are attempting to protect. by using this method of protection, if the required horizontal clearance was 12", the resulting clearance will be reduced by 50% to 6" between the heat source and the R-1 Rated wall board.

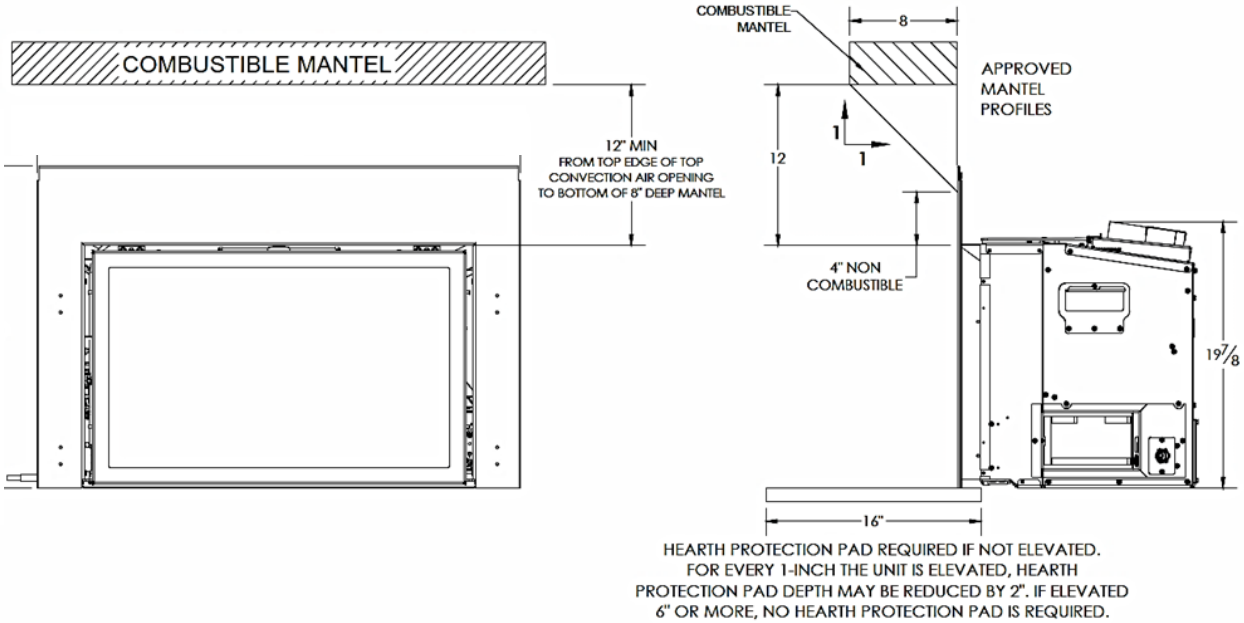


Side Wall Clearances

3.2.12 Clearances to combustible mantels

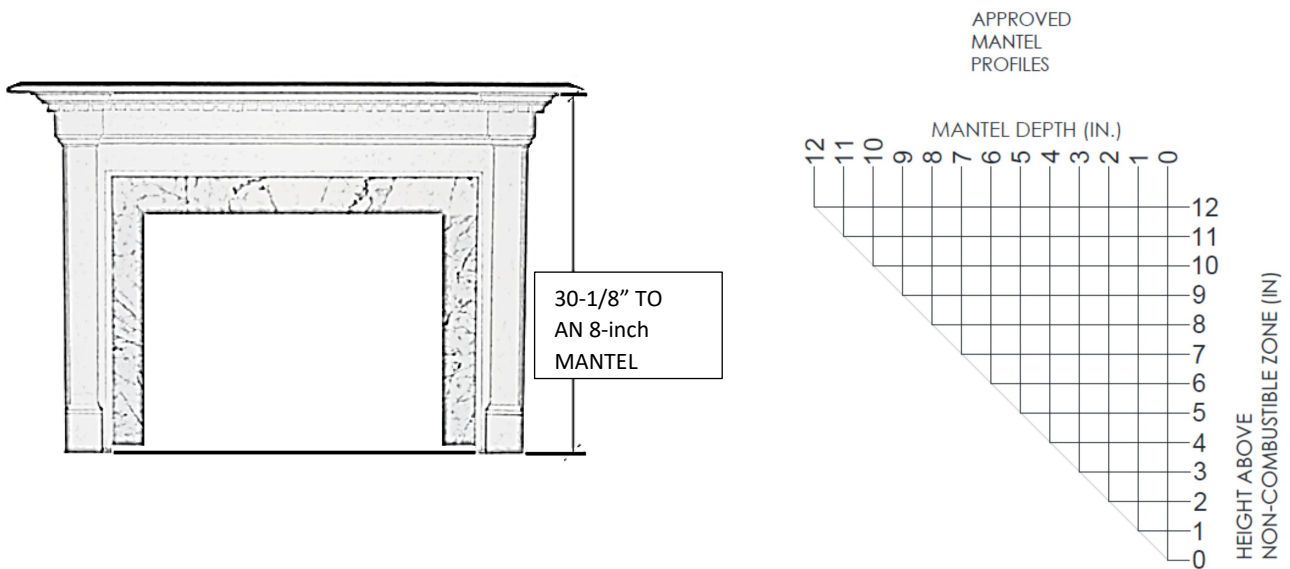
An 8" combustible mantel may be installed at a minimum of 12" above the top of the heat outlet (30.125" up from the floor level of this Insert). Non-combustible (marble, brick, stone, metal etc.) mantels can be installed at any desired height above the top convection air opening. Any pre-existing combustible mantel must fall within the approved mantel profile chart.

WARNING: If the existing mantel does not conform to required clearances, either remove and relocate the combustible mantel at an approved height or add a 20-gage metal shield underneath the combustible mantel that extends the full width and depth of the combustible mantel. Provide a 1" active air space between the metal shield and the bottom surface of the combustible mantel. Use ceramic spacers to create the 1" active air space. See diagram on next page.



Note: The distance from the Floor Level of this Insert to the Top Air Gap is 18-1/8".

Mantel Clearances

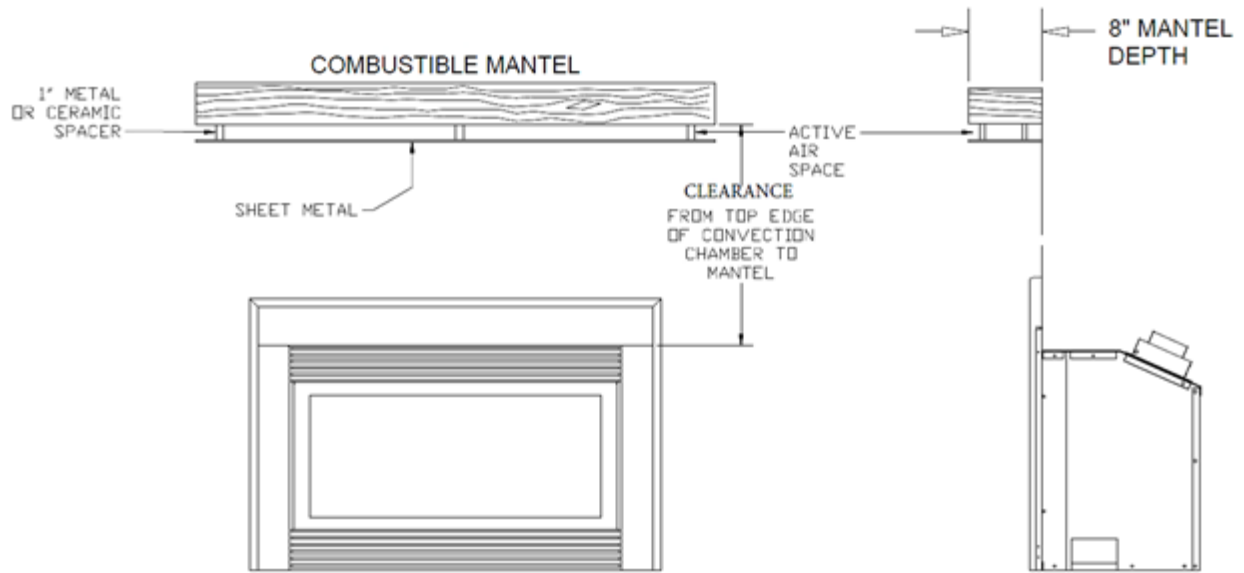


Minimum Distance from Floor to 8" Mantel is 30-1/8"

Approved Mantel Profiles

3.2.13 Reduction of Clearance to combustible mantels

If the existing mantel does not conform to required clearances, either remove or relocate the combustible mantel at an approved height or add a 20-gage metal shield underneath the combustible mantel that extends the full width and depth of the combustion chamber. Provide a 1" active air space between the metal shield and the bottom surface of the combustible mantel. Use ceramic spacers to create the 1" active air space. This will allow the minimum clearance to be taken down from 12" to 6".



Mantel Clearance Reduction Method

3.2.14 Hearth Pad Requirements

A non-combustible hearth protector with a thermal insulation rating of R-1 is required when installing this insert directly on the floor and must extend a minimum of 16" in front of this insert.

For every 1" the insert is raised off the floor, the depth of the required R-1 hearth protector may be reduced by 2". If the insert is raised off the floor 6" or more, no R-1 hearth protector is required for fire protection.

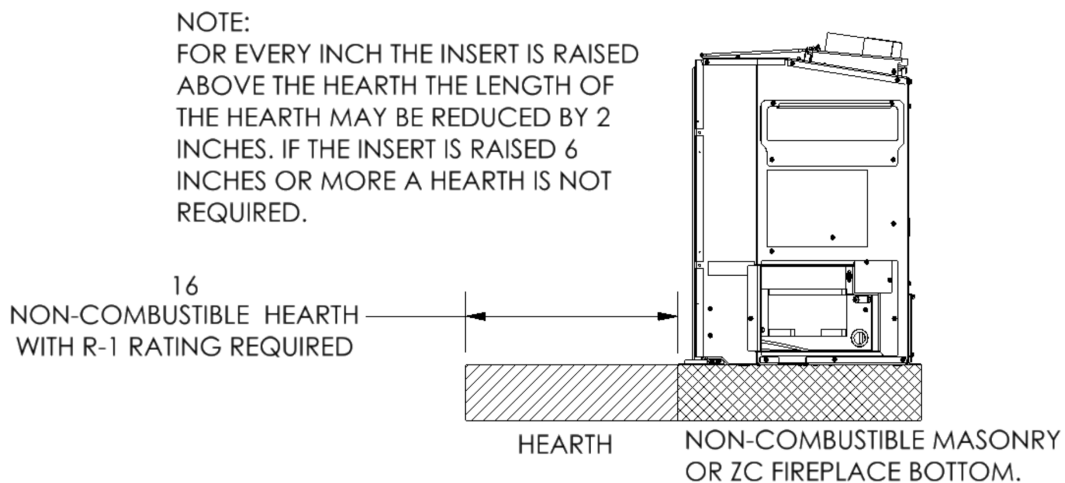
Raising the insert only removes the requirement for an R-1 rated hearth protector. The floor in front of the insert will still get hot up to 200 °F. The higher the insert is raised the lower the temperatures on the floor will be. Materials used on the floor in front of the insert must be appropriate for elevated temperatures.

Flooring materials such as carpet, vinyl and laminated floors may warp or be damaged if installed in front of this insert. If these materials are used it is recommended that the insert is raised at least 12" above the floor.

Mendota does not guarantee any materials used around the insert. Mendota disclaims any and all liability for any damage to finishing materials including warping, discoloring, cracking, peeling or flaking. This also includes any off-gassing or unpleasant smells from materials when they are heated.

3.2.14.1 Hearth Pad Materials

A hearth pad with an R-Value of at least 1 is required unless the insert is raised off the floor 6" or more. A list of common finishing materials and their R-Values is included in the "R-Values of Common Finishing Materials" section of this manual. Many finishing materials have a low R-Value. For example, 1" thick granite has an R-Value of only .05. When building a conforming hearth pad it may be necessary to use an insulating underlayment board with a high R-Value. A list of some possible underlayment boards is given below. These boards are not structural, they can be easily dented and damaged. They must only be used as an insulator under other non-combustible finishing material.



R-Values of Hearth Pad Boards			
<i>Material</i>	<i>Thickness</i>	<i>R-Value</i>	<i>Application</i>
Mineral Fiber Board (Micore 160, 300, SB)	1/2"	1.27 – 1.47	Hearth Pad Insulator
Cearmic Board (Rescor 360)	1/2"	1.11	Hearth Pad Insulator
Cearmic Board (Fiberfrax Duraboard LD)	1/2"	1.10	Hearth Pad Insulator

3.2.15 Re-facing a Woodburning Fireplace

Remodeling an old wood burning fireplace and its surrounding wall facings is a cost-effective way to modernize and enhance the beauty of a home and to raise the resale value of a home. This form of remodeling is called “re-facing”.

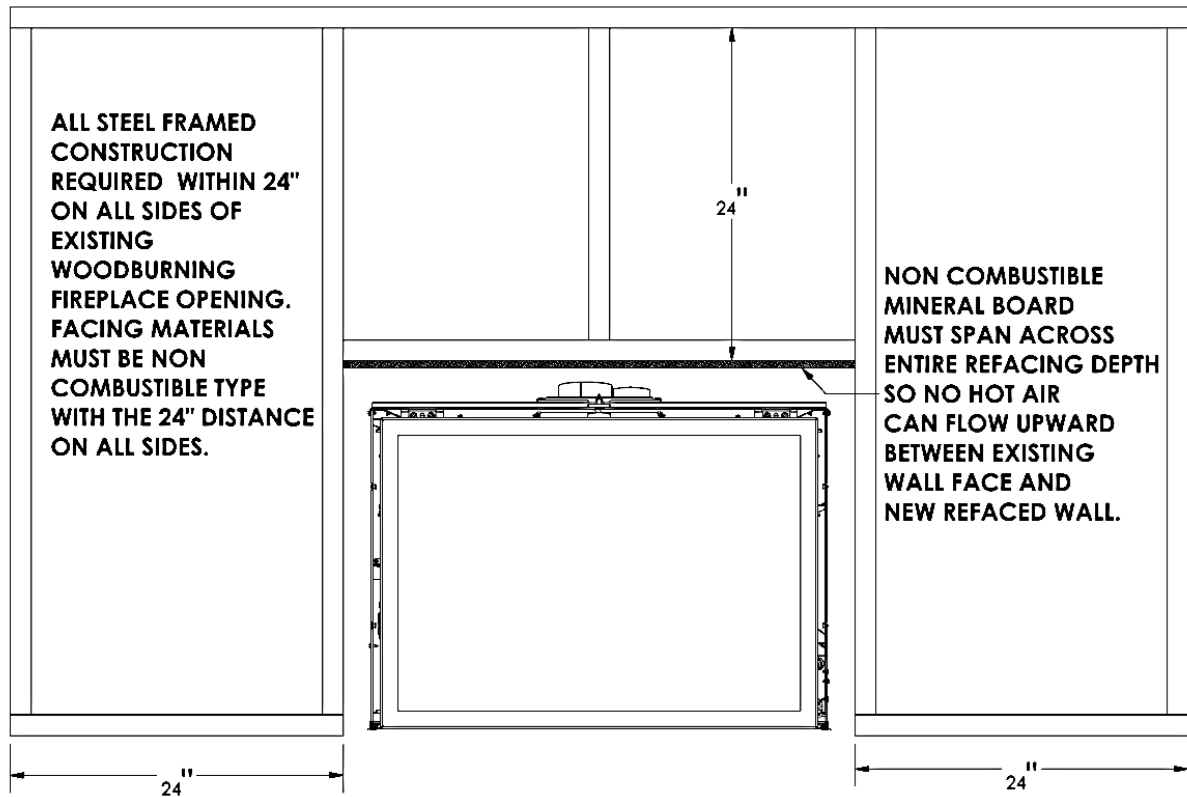
Notes for re-facing:

1. All re-facing framing members' material within 24" of the opening of the existing wood burning fireplace must be galvanized steel.
2. Directly above the top of the existing wood fireplace, a galvanized steel stud must run horizontally across the opening of the fireplace. On the bottom face of this horizontal galvanized steel stud, a heat rise barrier made from ½" thick noncombustible mineral board must be installed in a manner which completely blocks heat from seeping and rising upwards between the existing wall face and the newly installed wall surface structure.

Warning: Failure to install this Heat Rise Barrier board can lead to a fire hazard.

3. All facing materials used on the new framed structure and within 24" of the existing fireplace opening, in all four directions, must be of the noncombustible type.

Note: The suggestions given in this section are Mendota Fireplace's recommendations only. All local building code requirements must still be researched and followed.



Re-facing Information

3.2.16 Suitable Mantel, Facing & Hearth Pad Materials

Materials used in areas designated as non-combustible must be rated as non-combustible per NFPA 220 Standard on Types of Building Construction, or reported as passing ASTM E 136, Standard Test Method for Behavior of Materials in a Vertical Tube Furnace at 750 Degrees C.

WARNING: Common Finishing Materials Not Approved for use.

Paper faced gypsum board (drywall) including Type X Fire Rated board is not a non-combustible material. These boards are not approved for use in the non-combustible zone of the insert.

WonderBoard brand boards are commonly used as a backerboard for tile. WonderBoard backerboard is not a non-combustible material and is not approved for use in the non-combustible zone of the insert. In addition, WonderBoard off-gasses when heated and should not be used anywhere near the insert.

Information for common materials used is given below. Mendota does not guarantee any materials used around the insert. Mendota disclaims any and all liability for any damage to finishing materials including warping, discoloring, cracking, peeling or flaking. This also includes any off-gassing or unpleasant smells from materials when they are heated.

3.2.16.1 R-Values of Common Finishing Materials

R-Values of Hearth Pad Boards			
<i>Material</i>	<i>Thickness</i>	<i>R-Value</i>	<i>Application</i>
Mineral Fiber Board (Micore 160, 300, SB)	1/2"	1.2 – 1.4	Only approved for use as an insulator under other non-combustible finishing material for a hearth pad.
Cearmic Board (Rescor 360)	1/2"	1.11	
Cearmic Board (Fiberfrax Duraboard LD)	1/2"	1.10	

R-Values of Common Finishing Materials			
<i>Material</i>	<i>Thickness</i>	<i>R-Value</i>	<i>Application</i>
SkamoEnclosure Board	1"	0.410	Best option for a smooth wall finish. Least chance of cracking from heat.
Promat Promafour	1"	0.410	
Cement Board (Hardibacker 500)	1/2"	0.200	Best used as a backer board for tile or natural stone installations.
Cement Board (Hardibacker)	1/4"	0.130	Not recommended as a smooth wall finish.
Common Brick	2-1/4"	0.450	Common non-combustible materials used around an insert. Can be used on the wall or hearth pad. Install these materials per the recommendations in the following sections.
Common Brick	4"	0.800	
Thinset Mortar	1/4"	0.100	
Concrete (150 lbs/Cubic Foot)	1"	0.07	
Ceramic Tile	1/4"	0.25	
Flagstone	1"	0.079	
Granite	1"	0.05	
Limestone	1"	0.08	
Marble	1"	0.08	
Sandstone	1"	0.079	
Slate	1"	0.100	

3.2.16.2 Smooth Wall

When creating a smooth wall finish around the insert the correct materials and installation method must be followed to minimize the risk of cracks forming on the wall. Promat Promafour and Skamo Enclosure Board are two of the best options when creating a smooth wall finish. These boards have been designed to create a smooth wall finish around a fireplace. These materials can be hard to source and may not be available in all areas.

3.2.16.3 Ceramic or Porcelain Tile

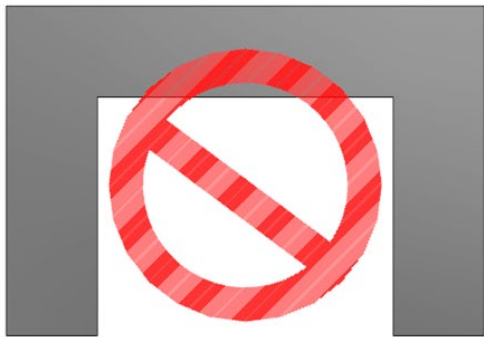
Use of ceramic or porcelain tiles around the insert is approved. If selecting a mosaic tile where tiles are held together with webbing, ensure the webbing is a non-combustible material like fiberglass. Also ensure that the tiles are not attached to the webbing with glue or epoxy that will off gas and smell when heated.

Use caution when selecting tile adhesives. Avoid polymer-modified mortars. These mortars will off-gas and smell when heated. Use unmodified dry-set mortar. A non-combustible backer board must be used when installing tile in a non-combustible zone around the insert.

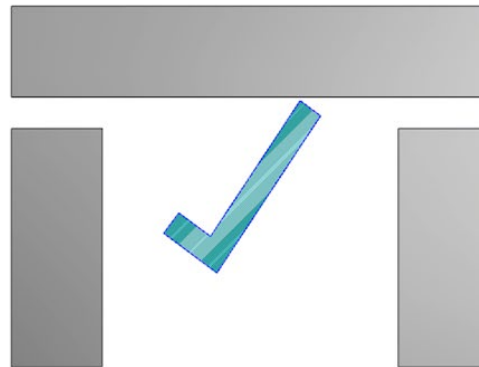
3.2.16.4 Marble, Granite, and Natural Stones

Marble, granite, and other natural stone products are approved for use as mantel, facing and hearth pad materials with the following limitations and understanding of these cautionary statements:

Never use a one-piece marble, granite or natural stone that is water jet or mechanically cut in a U-shape as facing material to cover the sides and top areas around this product. Doing so can lead to crack formation at the inner corners of the U shape due to thermal expansion.



**SINGLE U-PIECE
DO NOT USE**



**THREE PIECES
USE**

Three Piece Stone

Most marble slabs and marble tiles contain a polyester resin coating while most granite slabs and granite tiles contain epoxy resin coatings. The polyester resin coatings and the epoxy resin coatings provide structural strength to the stone slabs and prevent cracking, chipping and breakage during shipping and handling. These coatings also provide a glossy or satin surface finish and help seal the stone surface.

The polyester resin used on marble slabs can discolor when exposed to temperatures greater than 150°F and will structurally fail at temperatures above 230°F. The epoxy resin coating used on granite slabs are resistant to discoloring and structural failures up to 350°F. Mendota does not assume any liability for discoloring, flaking or cracking of marble or granite.

Temperatures on facings around the insert can reach 350°F directly outside the top convection air gap. These temperatures will discolor polyester resin coated marble facings and can cause the polyester resin coating to fail near the top convection air gap.

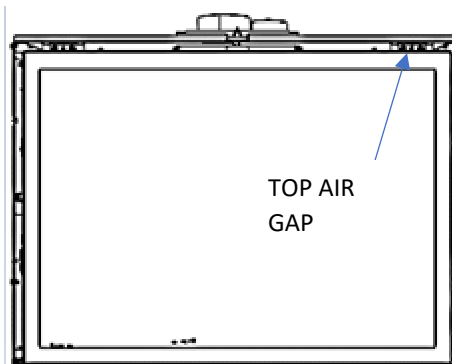
Mendota cannot guarantee suitability of use of any marble slabs or tiles that have a polyester resin coating applied to it and cannot guarantee against discoloration or structural failure of marble or polished stone facings that have a polyester resin coating. Consult with your local stone supplier.

Prior to use of any marble, granite or polished stone facing material, especially white colored ones, run heat exposure tests on a sample piece. Expose sample pieces to temperatures between 275°F and 350°F for a period of eight hours.

Compare the heat exposed sample to a control unheated piece and judge for color changes. Do not use if any color changes are evident.

Mendota recommends the use of honed bare marble and bare stone facing materials or honed bare granite and epoxy resin coated granite only.

Mendota cautions that due to natural structural defects that can exist within marble and stone pieces, cracking and/or flaking of the marble or stone is possible and must be considered prior to selection and application around Mendota inserts. Mendota further cautions that proper adhesives be used to attach stone facings. Pay attention to the potential of off gassing of chemical vapors from mastic and other adhesives. Improper selection can lead to emission of chemicals with unwanted smells.



Top Air Gap

3.2.16.5 Suitable Paints and Sealant Materials

3.2.16.5.1 Paint Types Approved for Use

Industrial Acrylic Paints, Alkyd based Paints. When selecting paint for applications on facings, mantels, corbels or floors within 2' in front of an insert raised 6" or higher, avoid off the shelf paints which may have modifier additives used to increase "hiding" ability, accelerate drying times and curing times. Consult with a reputable paints and sealants supplier and acquire industrial acrylic paints or alkyd-based paints.

3.2.16.5.2 Sealants Type Approved for Use

Heat resistant polyurethane sealants which are not damaged by prolonged exposure to raised temperatures. Many are flame resistant, meaning that they resist ignition when exposed to high temperatures and can insulate the substrate and delay damage to it. When selecting polyurethane for applications on facings, mantels, corbels or floors within 3' in front of or above a insert, avoid off the shelf urethane sealants which may have modifier additives used to accelerate drying times and curing times. Consult with a reputable paints and sealants supplier and acquire heat resistant polyurethane sealants.

3.2.16.5.3 Wood Application Cautions

If wood used around or in front of the insert has been chemically cleaned or bleached prior to staining or painting, it is of the utmost importance to make certain that the cleaner or bleach does not remain in the wood substrate under the final paint or sealant applied. If any cleaner or bleach remain within the wood structure, application of heat from the insert, even low-level heat, will cause the cleaner or bleach compounds to expand or evaporate causing separation of the paint or sealant from the wood surface and may cause peeling or bubbling of the paint or sealant.

Moisture content of the wood substrate is also of critical importance. High moisture content wood when heated will yield evaporation of the moisture and hydraulic pressure under the paint or sealants which can lead to peeling or bubbling. Always select the lowest moisture content wood substrate.

3.2.17 Recommendations for Television Installation

Note: The model depicted in the images is a representation of a Mendota Hearth fireplace. These recommendations apply to all Mendota Hearth Fireplaces.

When planning to install a television or other heat sensitive product above your fireplace, there are some points to consider.

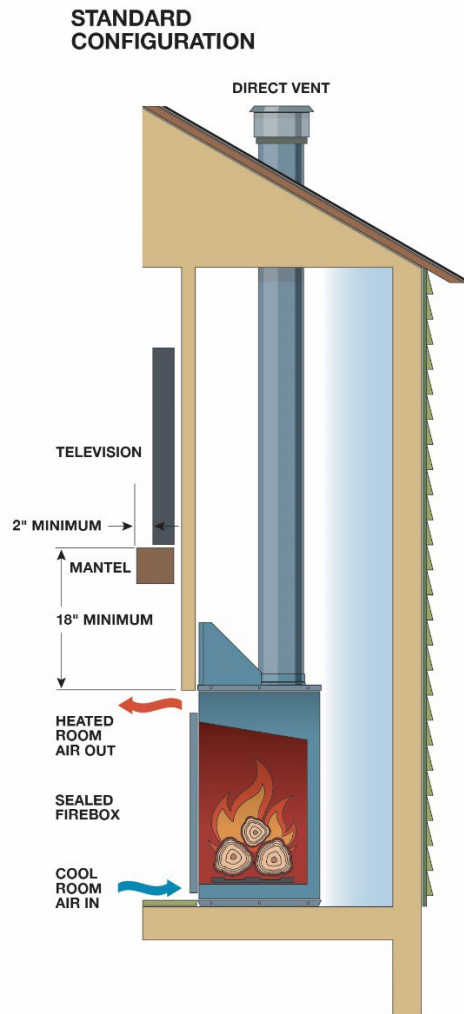
Many television manufacturers specify in their installation instructions that the television must not be installed near or above a heat source. The decision to install a television near or above a Mendota fireplace rests solely on the consumer. It is the consumers responsibility to satisfy television specifications and ensure the television will not exceed maximum operation temperatures. Mendota Hearth will not be held liable for any adverse effects on a television or other products located near to a Mendota Hearth fireplace.

The drawings below show recommendations that may be used as a guide for those consumers that decide to locate a television above a Mendota Hearth fireplace. These recommendations have been found to reduce the heat impact to a television when installed above a Mendota Hearth fireplace.

3.2.17.1 Recommendation 1: Add a mantel.

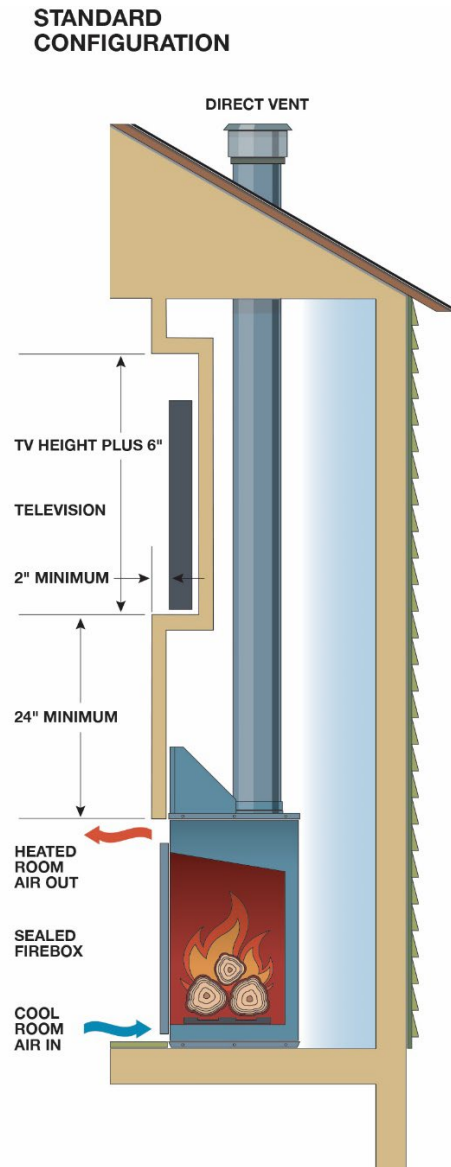
Add a mantel above the fireplace. The mantel shall be at least 2 inches deeper than the depth of the television, and at least as wide as the television. The mantel shall be mounted so that its top surface is a minimum of 18 inches above the top air gap of the fireplace.

Attention: If the mantel is constructed of combustible materials, make certain that the entire mantel meets the clearances to combustible mantel requirements.



3.2.17.2 Recommendation 2: Create a recessed cavity.

Frame a recessed cavity above the fireplace. The cavity shall be at least 6 inches taller and 6 inches wider than the television. The cavity's bottom surface must be a minimum of 24 inches above the top air gap of this fireplace. The cavity must be deep enough for the television to be recessed at least 2 inches in from the wall.



3.2.18 Venting

The FV33i FireIn Insert must be vented vertically to the outside and must use one of the approved co-linear flexible ducting system. Mendota recommends that both exhaust and air intake flex liners be run all the way to the vent cap. Seals between flex liners and unit top and vent cap must be permanent and as airtight as possible. **Do Not Use any silicone sealants at flex pipe joints. Stove gasket cement may be used at pipe joints but is not required.** Do use both securing screws and hose clamps at all four flex connection points.

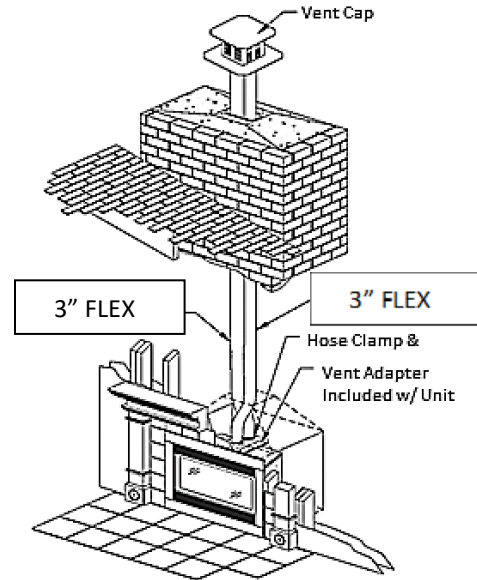
3.2.18.1 Maximum and Minimum Vent Lengths

Minimum vent run length required is 10'. Maximum vent run allowed is 50'. Only vertical termination is allowed. No horizontal runs are allowed with the vent system. Horizontal offsets of less than 4' are approved if the offset is angled at least 30-degrees vertically.

3.2.18.2 Air Intake Liner Stubbing

When existing wood burning chimney, size is too small to run both 3" and 3" liners, it is an option to cut the air intake flexible duct short and run only the 3" vent flexible duct to the vent cap connector. This is generally called "stubbing". However, understand that doing so may lead to venting. Variations between the air pressure inside the home and atmospheric air pressures outside the home can cause venting problems and performance failures. Avoid "stubbing" if chimney flue size allows installation of both liners fully to the vent cap.

Basic Vent System



MENDOTA RECOMMENDED VENT COMPONENTS AND VENT KITS LIST

MENDOTA RECOMMENDED VENT COMPONENTS AND VENT KITS LIST	
NOTE: Mendota "highly" recommends that you use one of the two vent caps listed below. Mendota has thoroughly investigated, designed and confirmed by testing that these two caps perform flawlessly during high wind speeds up to 40 MPH. Comparable tests on vent caps other than those listed below did not yield comparable results.	
AA-11-05280	MENDOTA INSERTS SQUARE HOMESTYLE VENT CAP WITH BUILT-IN FLASHING, 3" X 3"
AA-11-05281	MENDOTA INSERTS ROUND VENT CAP WITH BUILT-IN FLASHING, 3" X 3"
AA-11-05282	MENDOTA INSERTS FLEX KIT (INCLUDES 3"x35' (X2), 4 Hose Clamps)

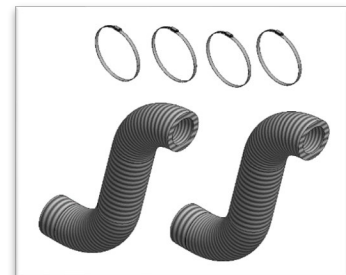
AA-11-05280



AA-11-05281



AA-11-05282

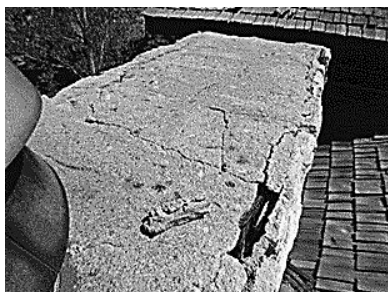


3.2.18.3 Fireplace & Chimney Cleaning Requirements

The plan to install a gas fireplace Insert must include inspection and cleaning of the fireplace cavity and the entire chimney system. The chimney top, especially masonry chimneys and wood framed chimney tops must be inspected, and the top surface must be repaired or replaced, if necessary. Unlined chimney flues are the most vulnerable to mortar corrosion and damage. These flues must be inspected, and repair must be done before dropping the flex vent liner for this Insert.

If you encounter a badly deteriorated or completely damaged firebox, do not proceed. These damaged structures must be reviewed by structural Engineers and Local Building Code officials must approve the repair work prior to this Insert being installed in such a damaged cavity.

Mendota requires that the fireplace cavity and chimney system be cleaned per the Chimney Safety Institute of America recommendation prior to installation of a Mendota gas fired Insert. The Chimney Safety Institute of America recommends that open masonry fireplaces should be swept at 1/8" of sooty buildup, and sooner if there is any glaze present in the system. This is considered to be enough fuel buildup to cause a chimney fire capable of damaging the chimney or spreading to the home. Factory-built fireplaces should be swept when any appreciable buildup occurs. The logic is that the deposit is quite acidic and can shorten the life of the fireplace.



Damaged Chimney Cap



Unlined Flue



Badly Deteriorated Firebox

WARNING: Failure to inspect and repair or replace damaged or dilapidated chimney flue, firebox or chimney top caps can lead to odor emissions, water penetration and damage to electronic components of this gas Insert or damage to other home structures. This omission to inspect, repair or replace as necessary will void all applicable warranties on this product.

3.2.18.4 Types of Chimney Flues

Chimney flues can vary in shape, size, and type. During inspection, make note of the type of the flue system used. Professionally clean and make any repairs before installing a Mendota gas Insert. Especially, pay attention to unlined flues which may have missing, or severely damaged mortar joints.



Clay Tile Liner Flue



Unlined Flue

3.2.18.5 Types of Chimney Tops and Vent Caps

Chimney tops vary in shape and size and configuration. The vent cap selected for installation will require some modification to fit various chimney top types. Consult with your vent supplier.



Single ZC Flue Cap



Clay Liner Cover



Open Top Clay Liner



Metal Cap on Clay Liner Chimney Top



Stone Cap Chimney Top



Concrete Cap Chimney Top

For installation of this Insert's vent cap with chimneys that have an existing metal, stone, or concrete cap. Do Not use "low profile" vent caps. They are vulnerable to exhaust recirculation and ghosting flames problems. Always use full size vent caps and allow a minimum 3" clearance from vent cap top to the chimney cap. For wider chimney caps and slabs, greater than 16" wide, increase the clearance above the vent cap to 6" minimum. If necessary, raise the slab to supply the required clearance.

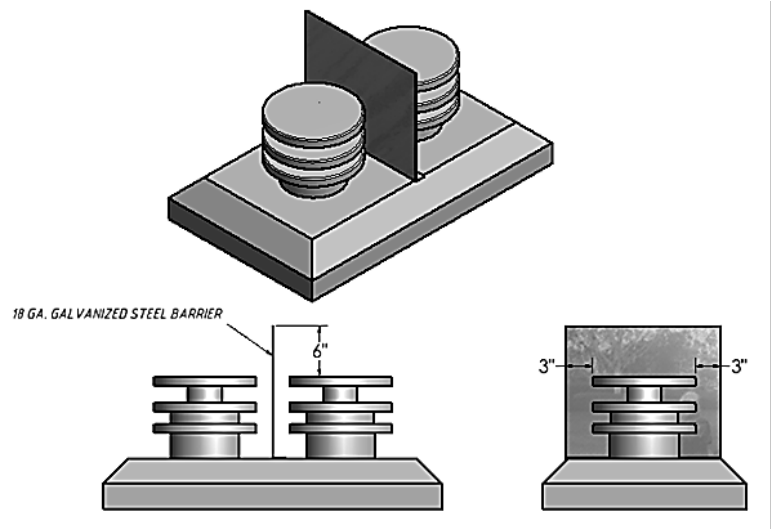
3.2.18.6 Side by Side installation of two Vent Caps

When two or more vertical vent caps are located within proximity of one another, it is required that a galvanized steel 18-gauge or heavier barrier wall be installed between the two vent caps to eliminate recirculation of exhaust gases from one cap to another.

The galvanized steel barrier shall be 6" taller than the highest point of the vent caps and shall be 3" wider past the outer edges of the vent caps.

If two gravity direct vent system gas appliances are terminated next to each other, the minimum required distance between the vertical center line of the vent caps is 18" to prevent recirculation of exhaust from one vent cap outlet into the air intake of another vent cap.

If a wood burning flue opening is adjacent to a gravity direct vent system gas appliance vent cap and the distance between vertical center lines of the two terminations is less than 36", we recommend a metal divider plate be installed to prevent wood burning exhaust from entering the gas appliance air intake path. Alternatively, you may also vertically extend the wood burning flue liner up 24" higher than the top surface of the gas appliance vent cap.



3.3 ELECTRICAL TECHNICAL REFERENCES

3.3.1 AC Power Requirements

WARNING: Label all wires prior to disconnection when servicing controls. Wiring errors can cause improper and dangerous operation. Verify proper operation after servicing.

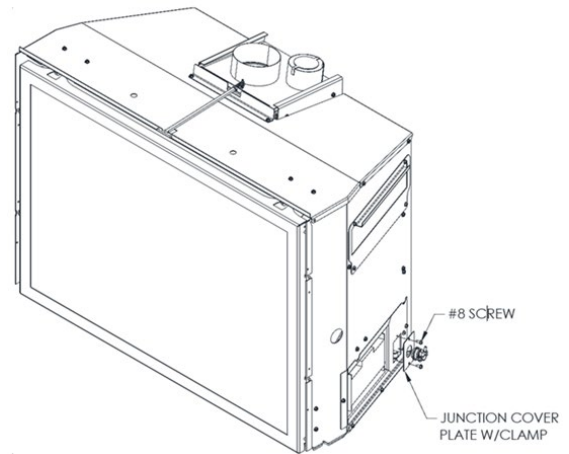
When this appliance is installed with a three-prong (grounding) plug for protection against shock hazard, it should be plugged directly into a properly grounded three-prong receptacle. Do not cut or remove the grounding prong from the plug.

For normal operation, this appliance requires 120 VAC, 2 Amp power or a 6V DC power source. The AC power supply to this fireplace Insert must be hot at all times and shall not have a switch installed in it.

This appliance is equipped with an electrical junction box on the right side and a 6V DC power inlet connector located directly below the master switch on the right side, adjacent to the glass frame's right edge.

3.3.1.1 Planning for AC Power Connection

On the right-side of the insert, there is an electrical junction box with a strain relief clamp. The insert comes with a cord wired to the insert. If the insert is going to be hard wired the cord can be removed. The insert comes with the cord exiting on the side of the insert. If an installation does not allow room on the side for the electric cord the cord can be rerouted through a hole in the rear of the insert.



Electrical Junction Box

3.3.1.2 AC Power Connection Option

Two options exist for supplying 120 VAC power to this appliance:

1. Use the preinstalled 10' extension cord and run the extension cord out of the fireplace cavity to a wall electrical outlet in the room or install an electrical outlet (inside a metal junction box with metal faceplate) inside the wood burning fireplace cavity. Always use metal flex conduit encapsulated 14-2 cable (MC Cable) to run power from the source to the outlet junction box. Installation of the electrical outlet and its electrical supply cable must conform to all local electrical code requirements.
2. Run metal flex conduit encapsulated 14-2 cable (MC Cable) from an approved electrical junction in the home directly to the Junction Box on the right side of this appliance and connect to the three-color coded wires within the junction box using the three wire nuts supplied. Make certain to leave a 24" long excess loop of the MC cable within the fireplace cavity to allow removal of this appliance from the fireplace cavity during cleaning and service work. Make sure to properly secure the end of the MC cable to the fireplace body side cover plate using the supplied strain relief clamps.

Notice: Electricity circuits cannot be shared between different floors within a home. This means that you can run a power cable from a basement to the main floor fireplace through an ash cleanout opening or by drilling a hole through. However, you cannot tap the power directly from a power circuit in the basement that supplies power to basement lights or outlets. You must run a dedicated power circuit from the main fuse panel to the upper-level fireplace.

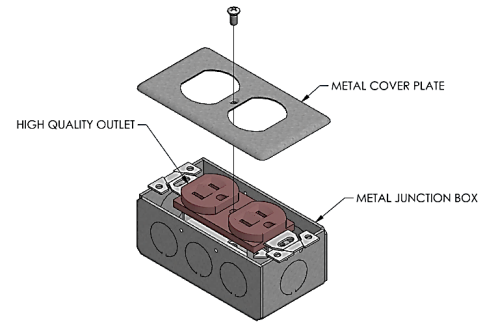
Notice: An MC Cable which enters an electrical junction box must employ a strain relief clamp at the entry point permanently to prevent movement, vibration and disconnection or loosening of electrical connections inside the Junction Box. Not using a strain relief clamp can lead to arcing between loose connections and pose a fire hazard. If an outlet is installed inside a wood burning fireplace always use a metal junction box, MC Cable, and strain relief clamps.

Option 1: 8-foot power cord



10-foot Power Cord

OUTLET INSTALLATION PROCEDURE

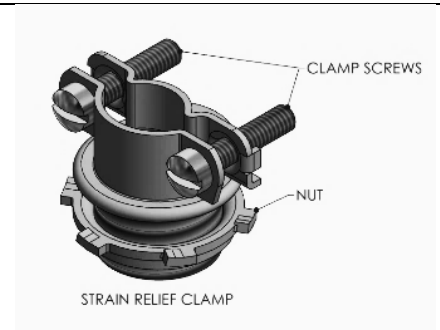


Junction Box and Outlet Installation

Option 2: 14-2 MC Cable



MC Cable



Strain Relief Clamp

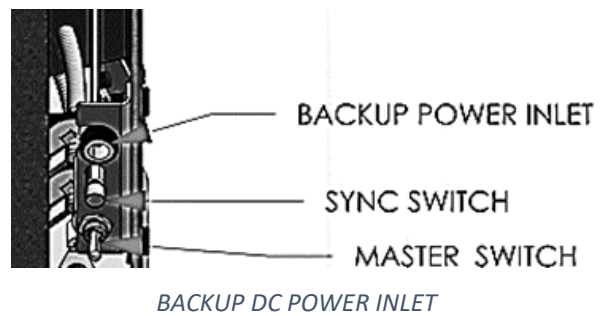
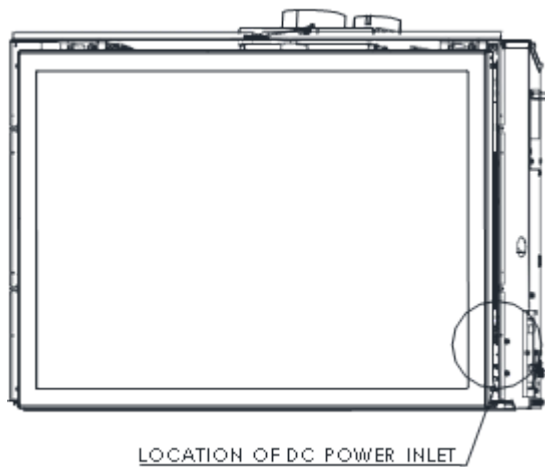
3.3.2 Backup DC Power Connection

This appliance is factory equipped with a backup dc power connection port. The inlet port is factory mounted on the right side above the remote sync button and master power switch. This port can be utilized to connect the battery pack supplied with the Insert, to supply DC power to the unit when necessary.

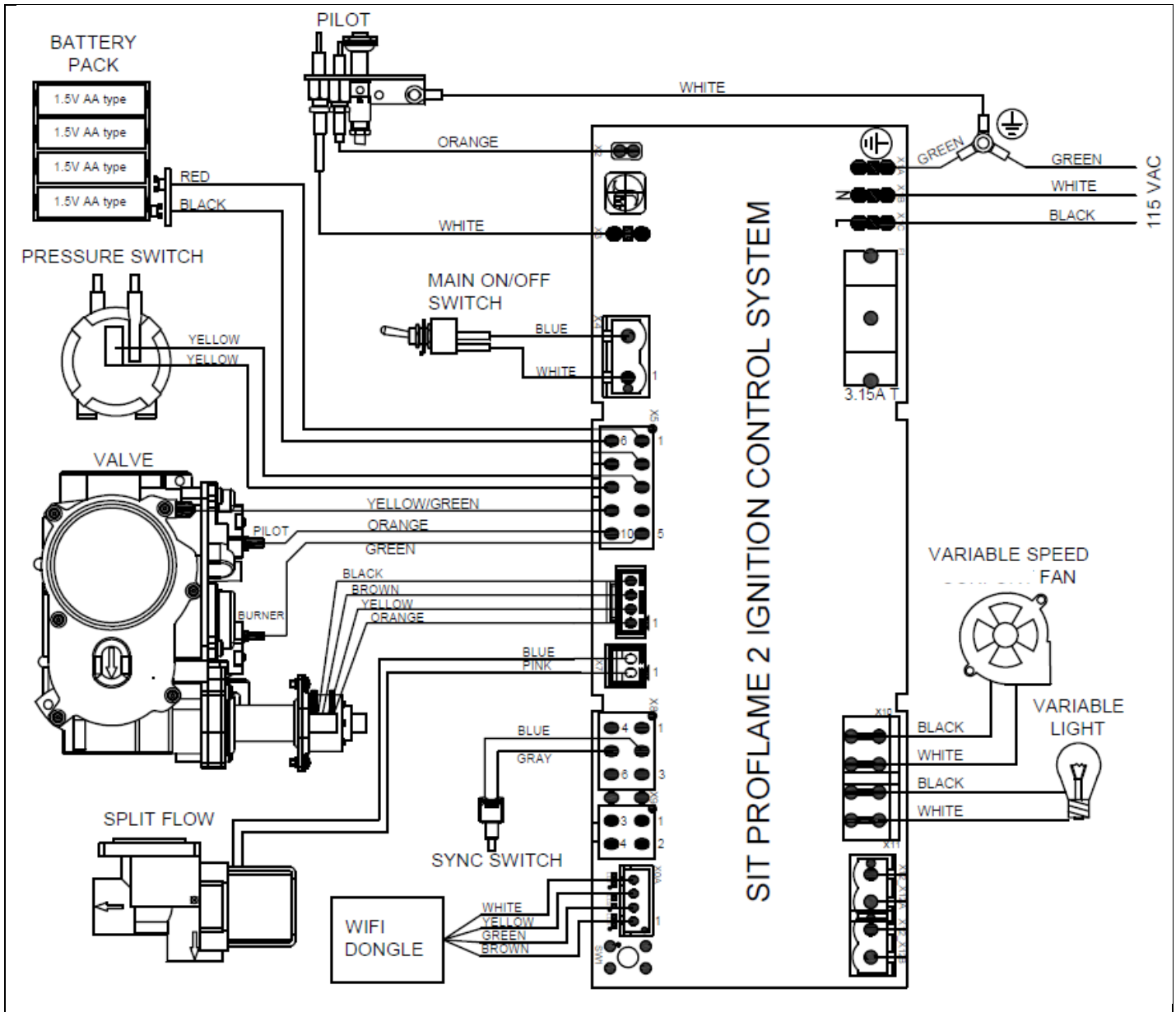
To operate this appliance during a power outage, plug in the backup battery pack harness into the backup power inlet. Then Insert four (4) fresh AA batteries in the battery pack. This appliance operates on 6-Volts DC power only. Do not attempt to use higher voltage or lower voltage power sources.

The four (4) AA batteries will allow operation of this Insert for approximately ten days.

While using the backup DC power, the convection blower and accent light functions will not be available.



3.3.3 PF2 Ignition System Diagram



Note: Connect wires in junction box located on the right side of this appliance to house power using supplied wire nuts.

Replacement wires must have the same type and size of insulation as the original.

This appliance must be electrically connected and grounded in accordance with local codes or, in the absence of local codes, with the current NFPA 70- National Electric Code or CSA C22.1- Canadian Electrical Code.

Label all wires prior to disconnection when servicing control. Wiring Errors can cause improper and dangerous operation. Verify proper operation after servicing.

3.4 PLUMBING TECHNICAL REFERENCES

3.4.1 Gas Supply Requirements

NOTE: if Insert is to be operated with LP gas, see Chapter [Natural Gas to LPG Conversion](#) in this manual before proceeding.

CORRECT GAS PRESSURE AND PROPER GAS SUPPLY LINE SIZING IS IMPERATIVE TO THE SUCCESSFUL PERFORMANCE OF YOUR MENDOTA GAS FIREPLACE INSERT. BE SURE THE GAS SUPPLIER OR PLUMBER CAREFULLY CHECKS FOR CORRECT GAS PRESSURE AND GAS LINE SIZING WHEN INSTALLING THE FIREPLACE INSERT.

IT IS CRITICAL TO CAREFULLY CHECK FOR GAS LEAKS WHEN HOOKING UP THE FIREPLACE INSERT. CHECK WITH SOAP AND WATER SOLUTION OR COMBUSTIBLE GAS SNIFFER.

BE SURE TO INSTALL FLEX GAS LINE WITH BRASS-TO-BRASS FITTINGS TO PREVENT GAS LEAKS AT CONNECTIONS.

GAS SUPPLY PIPING MUST INCLUDE A DRIP LEG TO ELIMINATE THE POSSIBILITY OF CONTAMINANTS ENTERING THE GAS TRAIN. ADHERE STRICTLY TO LOCAL AND NATIONAL CODES.

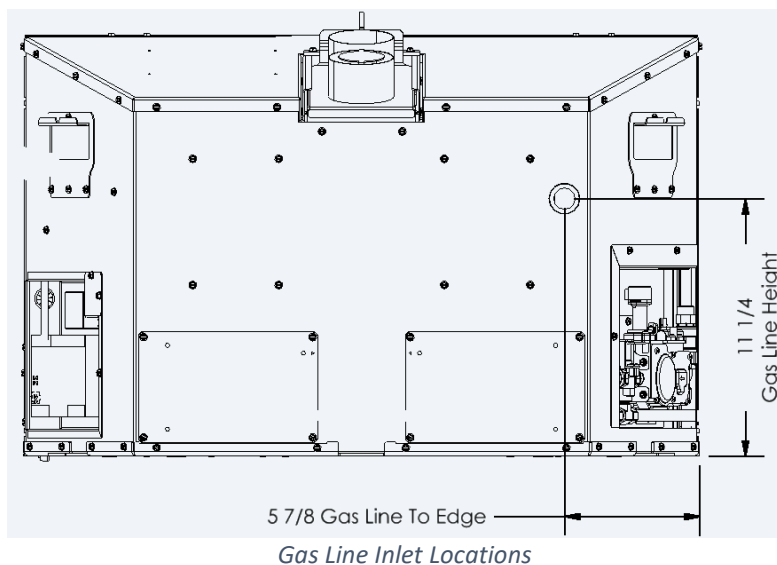
3.4.2 Gas Supply Line Sizing

A 48" X 3/8" SS flex supply line with a 3/8" male NPT end adapter comes installed on the insert. The flex supply line comes installed through the back of the insert. If an installation does not allow room for the gas line at the back of the insert the gas line can be rerouted out the side of the insert. To reroute the flex line, disconnect the flex line from the ball valve and pull it out of the insert. Then reconnect the flex line to the ball valve and with it exiting the side of the insert.

Use the table, below, to determine the proper gas line diameter that must be installed to run from the supply regulator to the end of the 48" SS flex supply line adapter. Refer to the following table for proper gas pipe diameters.

PIPE LENGTH [FEET]	SCHEDULE 40 PIPE INSIDE DIA.		TUBING, TYPE L OUTSIDE DIAMETER	
	NAT.	L.P.	NAT.	L.P.
0-10	1/2" [1.3 cm]	3/8" [1.0 cm]	1/2" [1.3 cm]	3/8" [1.0 cm]
10-40	1/2" [1.3 cm]	1/2" [1.3 cm]	5/8" [1.6 cm]	1/2" [1.3 cm]
40-100	1/2" [1.3 cm]	1/2" [1.3 cm]	3/4" [2.0 cm]	1/2" [1.3 cm]
100-150	3/4" [2.0 cm]	1/2" [1.3 cm]	7/8" [2.3 cm]	5/8" [1.6 cm]
150-200	3/4" [2.0 cm]	1/2" [1.3 cm]	7/8" [2.3 cm]	3/4" [2.0 cm]

NOTE: Some areas allow copper tubing or galvanized pipe - check with local approval agencies and codes NEVER use plastic pipe.



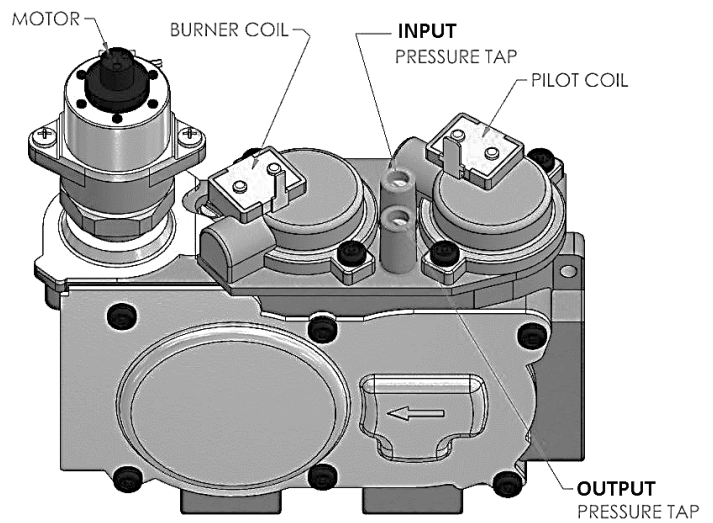
3.4.3 Gas Pressure Requirements and Checking

Two pressure taps for checking input and output gas pressures are located on the main gas valve. A qualified installer should use this fitting for setting the correct gas pressure during initial installation.

The appliance and its appliance main gas valve must be disconnected from the gas supply piping system during any pressure testing of that system at test pressures in excess of 1/2 psi (3.5 kPa).

The appliance must be isolated from the gas supply piping system by closing its equipment shut-off valve during any pressure testing of the gas supply piping system at test pressures equal to or less than 1/2 psi (3.5 kPa).

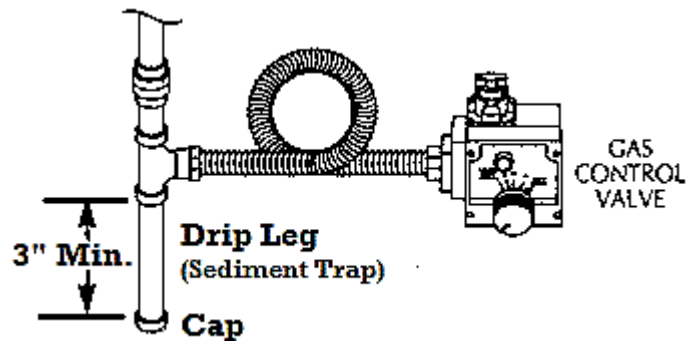
If the factory-built fireplace has no gas access hole(s) provided, an access hole 1.5" or less may be drilled through the lower sides or bottom of the firebox in a proper workmanship like manner. This access hole must be plugged with non-combustible insulation after the gas supply line has been installed.



Main Gas Valve

3.4.4 Drip Leg Recommended

It is recommended that a drip leg/sediment trap is installed within the main gas supply line serving this appliance.



Drip Leg/ Sediment Trap

3.4.5 Manual Gas Shutoff Valve Requirement

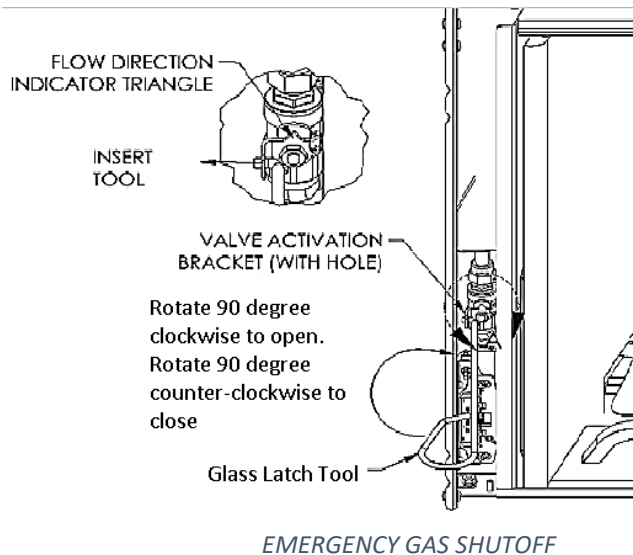
If local building codes require one, obtain an external keyed wall-mounted or floor-mounted manual gas shutoff valve approved per local gas plumbing codes and install per local gas plumbing codes in the specified location. Local requirements supersede all other codes.



Keyed Manual Gas Shutoff Valve

3.4.6 Factory Installed Manual Gas Shutoff Valve

A manual gas shutoff valve is factory installed and located within the left-side convection chamber. To operate the manual gas shutoff valve, insert the tip of the glass latch tool into the hole in the valve activation bracket. Rotate the tool clockwise 90-Degrees or until it stops to fully open the Valve. To close the valve, insert tool in valve activation bracket rotate tool counter-clockwise 90-degrees or until it stops.



3.4.7 How to Run Gas Line to Insert Location

Caution: Before you run the gas line, read, understand, and properly calculate the required gas line size. Improper (too small) gas line size application can lead to improper burner ignition and can cause property damage and/or injury. If you are not qualified or certified to run a gas line, do not proceed. Contact a qualified Gas Plumber.

Note: If the factory-built fireplace has no gas access hole(s) provided, an access hole of 1.5 in (37.5 mm) or less may be drilled through the lower sides or bottom of the firebox in a proper workmanship-like manner. This access hole must be plugged with non-combustible insulation after the gas supply line has been installed.

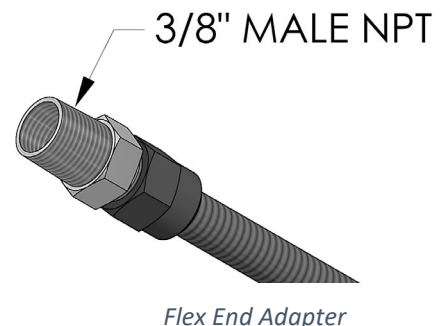
It is recommended that you run the main gas supply line end to the left side of the wood burning fireplace cavity. The gas valve and flexible gas connector supplied with this fireplace Insert will exit at the rear wall left edge or the left wall rear edge, when facing this unit.

The factory supplied flexible gas connector is 4' long and provides 32" of loose flex outside the Insert body. Create a vertical flexible loop with the excess flex connector length so it aids in pushing the unit into the cavity without damage to the flex connector and aids in preventing damage when Insert is pulled out during service work.

3.4.8 Gas Inlet Fittings Information

The flex line end adapter supplied with this Insert provides a 3/8" male NPT end fitting.

Based on the gas line size you have selected use an appropriate NPT fitting to adapt and connect to the 3/8" male NPT flex end adapter.



3.4.9 Gas Input Rate Verification

3.4.9.1 Natural Gas Input Rate Verification

1. Verify orifice sizes. The orifice body has the orifice hole size stamped on it. NG orifice size shall be #50 (pan burner) and #52 (tube burners) for all elevations between 0-2000ft. NG orifice size shall be #50 (pan burner) and #52 (tube burners) for all elevations exceeding 2000ft.
2. Verify that the Manifold Gas Pressure is within 3.5" WC +/- 1/8". Once setup, read the main home gas supply meter reading.
3. Write the initial reading here >> initial gas meter reading _____
Turn off all other appliances and their pilot flame in the home.
4. Run this appliance for a period of 30 minutes on maximum flame size. Turn off the main burner and pilot flame. Read the main home gas supply meter reading after the 30 minutes of burn time.
5. Write the reading here >> final gas meter reading _____
Calculate the following:
6. FINAL GAS METER READING - INITIAL GAS METER READING... Subtract initial gas meter from final gas meter reading. This will yield the number of Therms used during the 30-minute burn time.
7. Multiply the result in Item #6 by 100,000.
8. Multiply the result in Item #7 by 2. Write down the result here >> _____
9. The result in item #8 shall be at least maximum input rate (29,000 Btu) for altitudes below 2000 Feet. For altitudes higher than 2000 feet, the result in item #8 shall be at least 29,000 Btu.

3.4.9.2 LPG Input Rate Verification

Verify orifice sizes. The orifice body has the orifice hole size stamped on it. LPG orifice size shall be #62 (pan burner) and #63 (tube burner) for all elevations.

Verify that the manifold gas pressure is within 10.0" WC +/- 1/8".

3.4.10 High Altitude De-Rating

If you are de-rating this appliance at a high altitude, attach the High-Altitude De-Rating Label, supplied in the Owner's Manual Packet, to the back surface of the listing label plate located in the air gap on the side of the insert. If you are also converting the insert for LP Gas attach the labels included with the conversion kit to the same surface. Prior to attaching the label, fill in all the information that is requested on the label.

For installations from 610-1370 meters (2000-4500 ft.) the orifice sizes (DMS) for Natural Gas are #50(pan burner) and #52(tube burners) and Propane Gas are #62 (pan burner) and #63 (tube burners), respectively. See data plate for additional information. For high altitude installations consult the local gas distributor or the authority having jurisdiction for proper rating methods. If the installer must convert the unit to adjust for varying altitudes, the information sticker must be filled out by the installer and adhered to the appliance at the time of conversion."

This appliance has been converted for use at an altitude of:	
Orifice size:	Manifold Pressure:
Input (Btu/h):	Fuel Type:
Date of conversion:	Converted by:

Cet appareil a été converti au _____

Injecteur _____

Pression à la tubulure d'alimentation _____

Débit calorifique _____

4 INSTALLATION INSTRUCTIONS

4.1 INSTALLATION CHECKLIST

The instructions provided in this chapter are arranged in the sequence of occurrences.

This installation checklist is supplied as a guide for installers to follow step by step. As you complete each step of the installation work, check mark the completed work item in the list, below. All items in this installation checklist must be completed. When all work is complete, fill in your name and the date this installation was completed.

- Unpack the Insert body.
- Open and inspect the Manual Packet.
- Unbolt the Insert body from the wooden pallet.
- Bend up the shipping clips.
- Install Leveling Bolts if applicable.
- Open the Insert Glass Door.
- If planning to burn LPG, perform the NG to LPG conversion work.
- Prepare the Woodburning fireplace cavity.
 - Clean fireplace cavity.
 - Remove refractory liners if necessary.
 - Lock wood burning vent damper in open position or remove if it does not allow enough space for two 3" liners entry.
- Prepare the existing chimney system.
 - Make certain wood burning chimney has been professionally cleaned if inspection deems necessary.
 - Make certain wood burning chimney inner surfaces are inspected and repaired or replaced, if needed.
 - Make certain chimney top cover is inspected and repaired or replaced, if needed.
- Measure chimney Length (minimum 10' vent flex run is required; maximum allowed length is 50').
- Install Vent System.
 - Run both 4" exhaust and 3" air intake liners all the way to vent cap if existing chimney size allows.
 - Sealant is not required at vent joints. **Do not use silicone sealants in flex vent connection joints anywhere.**
 - Attach flex pipe ends to vent cap stubs using both screws (not supplied) and hose clamps (supplied) to attach flex to vent cap stubs. Sealant is not required at the flex to vent cap stub joints.
 - Slide flex pipes down the chimney, being careful not tear or damage the flex liners.
 - Adjust air intake damper to match vertical chimney length. See [Log Set/ Media Installation](#).
 - Connect the bottom flex open ends to the unit top sliding vent adapter. Use both screws and hose clamps. sealant is not required at the flex to sliding vent adapter joints.
- Connect Gas Supply to the Insert. Verify that gas pressures are proper and perform a complete leak test of all field installed gas joints and factory installed gas train joints using a gas sniffer.
 - Verify orifice sizes.
 - Verify gas input rates
- Connect Electrical Supply to the Insert. See [AC Power Connection Option](#) .
- Install Insert body into wood burning fireplace cavity.
- Install a surround on the Insert body.
- Install firebox inner liner kit. Follow instruction supplied with the Liner Kit.
- Install log set, coals and inswool media.
- Test fire Insert.
- Teach consumer how to use remote control and all functions of this insert
- Complete warranty registration at mendotahearth.com/warranty

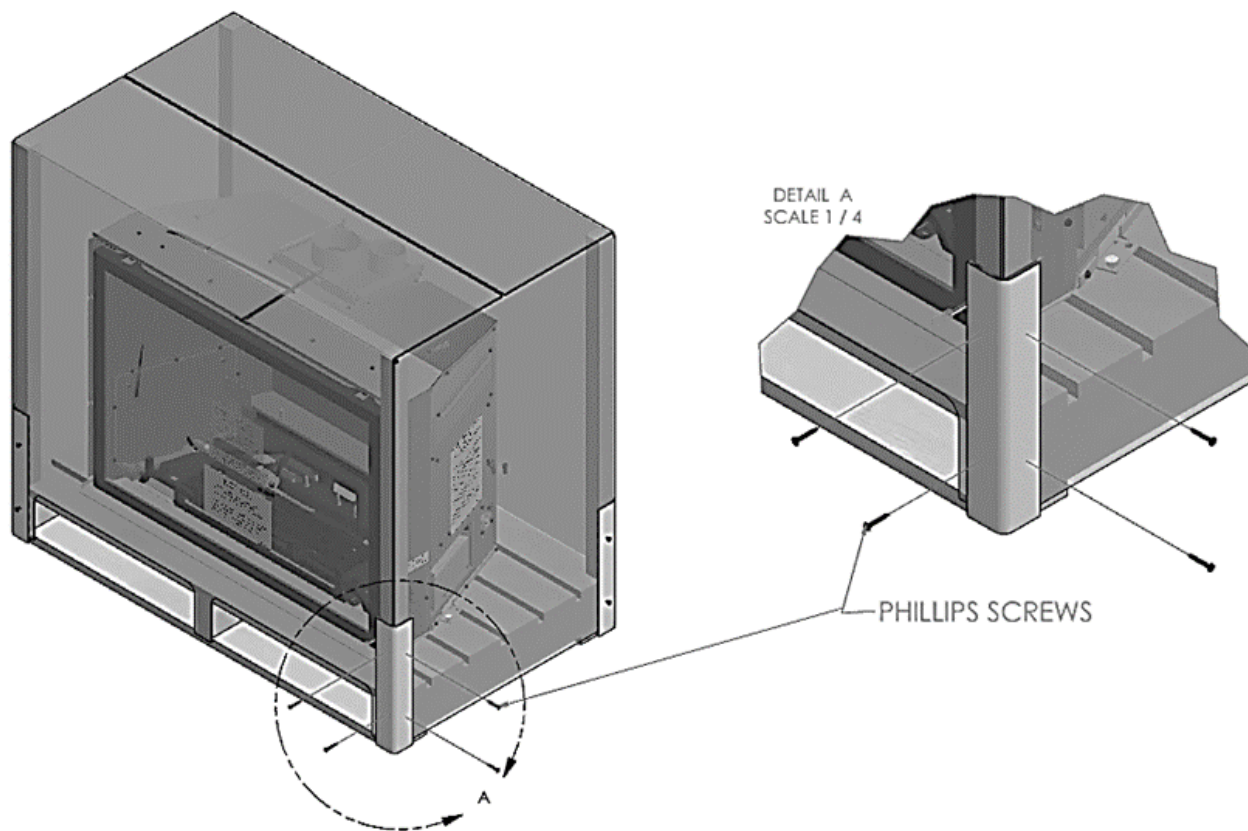
This installation was performed and completed by:

Date:

4.2 UNPACKING THE INSERT

The Insert arrives from the factory on a wooden pallet with a cardboard box encasing the pallet and insert. To remove the outer box, identify and remove four Philips head drywall screws that secure a cardboard L pincher at the bottom of each corner of the box.



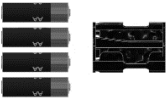
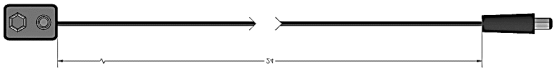
Lift the outer box vertically straight upward until lower edge of the box clears the top of the unit body. Set the box aside. Mendota recommends recycling the outer box.



Outer Box Removal

4.3 CONTENTS OF THE MANUAL PACKET

Once the outer box is removed, you will find the Insert body and a manual packet white box. This manual packet white box includes the items shown in the table, below. Contact Mendota Technical Service if any parts are missing.

<p>Glass Latch Tool #HA-77-00256</p> <p>Must Leave with Homeowner.</p>	
<p>Remote Control Transmitter # HA-110-00105. 3-AAA Batteries # 65-06-01270.</p> <p>Must Leave with Homeowner.</p>	
<p>Backup Battery Holder #05-02-00345 & QTY 4- AA Batteries #65-06-01147.</p> <p>Must Leave with Homeowner.</p>	
<p>Backup Power Harness #10-03-00128</p> <p>Must Leave with Homeowner.</p>	
<p>Owner's Manual.</p> <p>Must Leave with Homeowner.</p>	<p>This Manual</p>

Manual Packet Contents

4.4 WHAT IS NOT INCLUDED WITH THIS APPLIANCE?

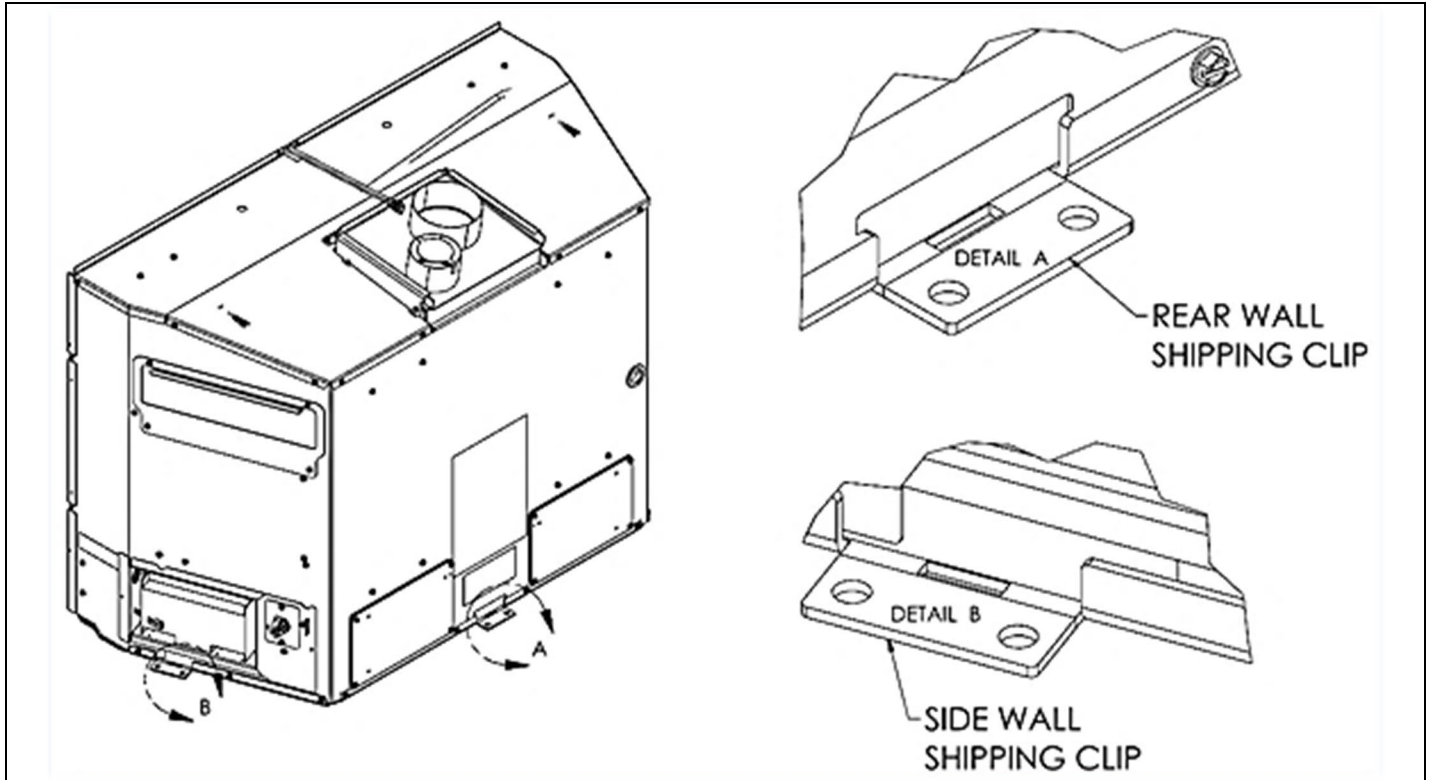
Surround, log set, firebox lining or decorative front are not included with this base Insert product. One of many surround options, log set options, firebox inner liner options and decorative fronts options must be selected and purchased separately.

4.5 BENDING UP THE SHIPPING CLIPS

Once the unit is detached from the pallet by removing the securing lag screws that hold these shipping clips to the pallet, either bend these clips up 90-degrees or break them off using a screwdriver and back and forth cold working motion (see below). A bending relief is provided within the clip to ease bending or breaking. Bending the shipping clips up or removing them will be necessary for Insert units which are to be installed in narrow width or shallow depth openings.

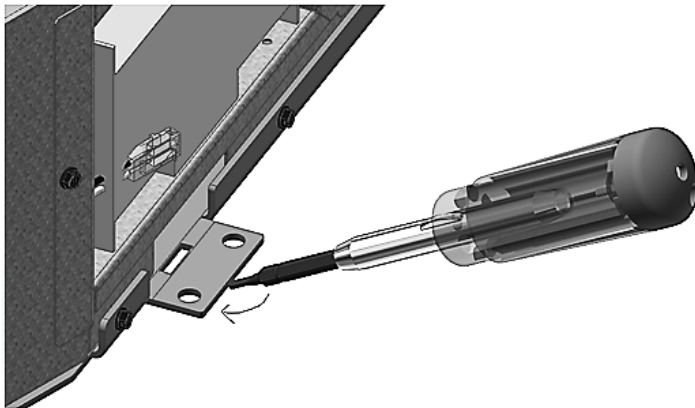
To bend the clips up or to break them off, follow these procedures:

1. Insert the tip of a flat screwdriver (longer screwdriver is better) under the clip.
2. Lift screwdrivers handle upwards and bend the clip up about 45-degrees.
3. Remove screwdriver. Insert screwdriver tip into one hole in clip. Lift screwdriver up. To break clip off, repeat up down motion of screwdriver seven to eight times.



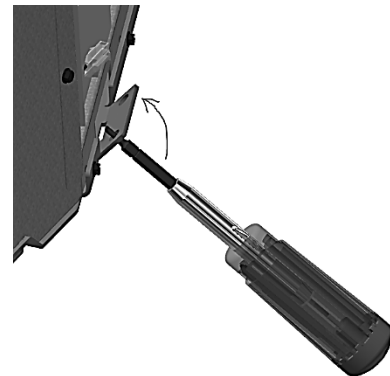
Shipping Clip

STEP 1 & STEP 2



Bend Up Clip 1

STEP 3



Bend Up Clip 2

4.6 LEVELING BOLTS

4.6.1 Leveling Bolts Definition

Four leveling bolts are installed in the unit. The leveling bolts allow for a ¼" minimum to 1" maximum leveling ability. Leveling bolts are designed to adjust for uneven fireplace floors and yield plumb Insert Body. Use the leveling bolts only if the fireplace floor is more than ¼" out of level from one side to another or from front to back. If the fireplace floor is less than ¼" out of level, use metal sheet shims in various thickness and build up to needed leveling thicknesses at various points around the appliance.

The leveling bolts supplied are designed specifically for application with this product. only use leveling bolts supplied by Mendota and for leveling purposes only. Never use leveling bolts for the purpose of lifting unit up to make up for ash lip heights or other lifting or raising needs. Such use can cause extreme thermal expansion of firebox floor and can result in oil canning noise or louder thermal expansion and constriction banging noise. **SUCH NOISE PROBLEMS ARE NOT COVERED UNDER MENDOTA WARRANTY**

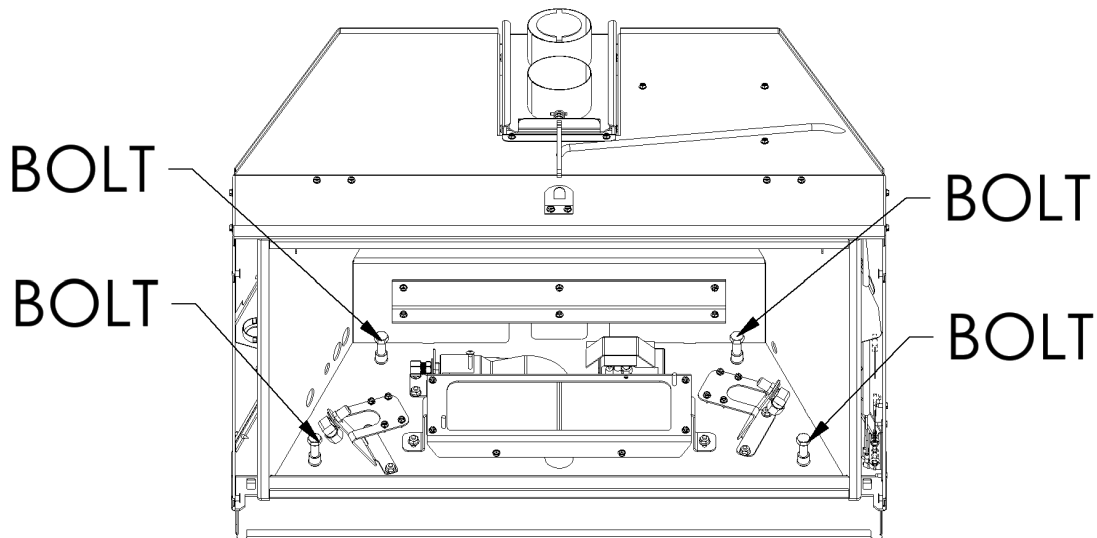
Note: When lifting this Insert more than 1", other support blocks will be required. For all applications when you raise the unit more than 1", reline the entire firebox floor with refractory bricks to build up a full level floor for the Insert to sit on. Do not use individual support block only under the four corners of this unit.

WARNING: Failure to position the parts in accordance with these diagrams or failure to use only parts specifically approved with this appliance may result in property damage or personal injury. Never use other after-market leveling bolts. Doing so can lead to vibration noise problems or damage to internal components. **DO NOT USE LONGER BOLTS TO LIFT INSERT UPWARD. THIS CAN CAUSE OTHER SIDE EFFECTS LIKE HEAT EXPANSION/CONTRACTION NOISES.** To lift Insert up, use Firebricks and mortar or a metal box designed specifically for this purpose.

4.6.2 Leveling Bolts Adjustment

To adjust the leveling bolts, you must do the following first. Remove the angled burners and air box. Once they are removed you will see the four leveling bolts as shown below. Adjust bolts as needed to level unit as required and stated in above information.

ATTENTION: Leveling bolts must be installed in the insert. Removing the bolts will leave holes in the bottom of the insert that can draw air into the firebox. This can result in poor flame performance.



4.7 GLASS DOOR REMOVAL AND REINSTALLATION

4.7.1 To Remove Door

Use the glass latch tool to disconnect the spring latches from the glass frame. Insert tool into hole in latch, pull towards you and rotate 90-degrees to disengage top latches. Remove tool. There are two spring latches on top of this gas fireplace. Always make certain the hook glass latches are in the upside-down position after removing the glass frame. This upside-down latch position will make it easier to reinstall the glass frame later.

With both hands, rotate top edge of glass frame away from unit, approximately 8".

Lift glass frame up 1", at an angle, and move away from unit.

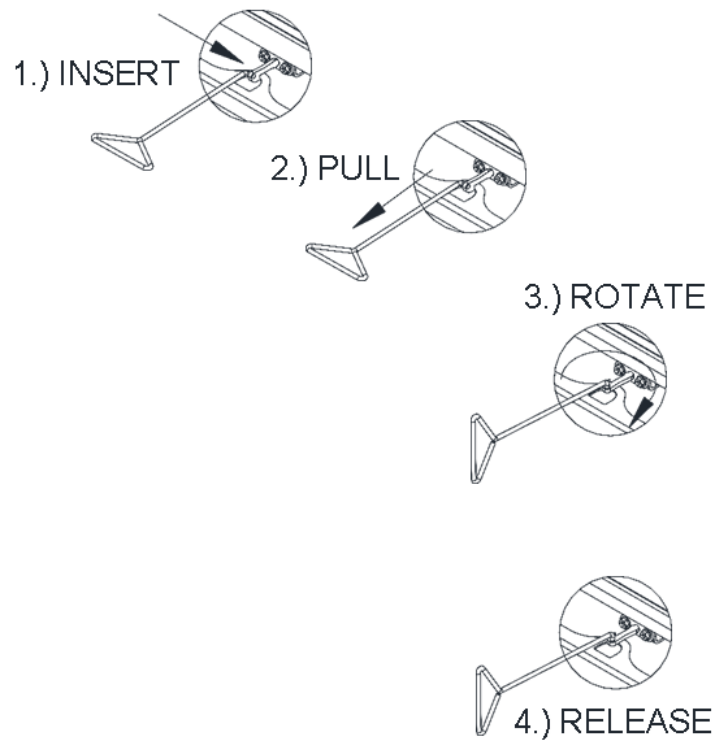
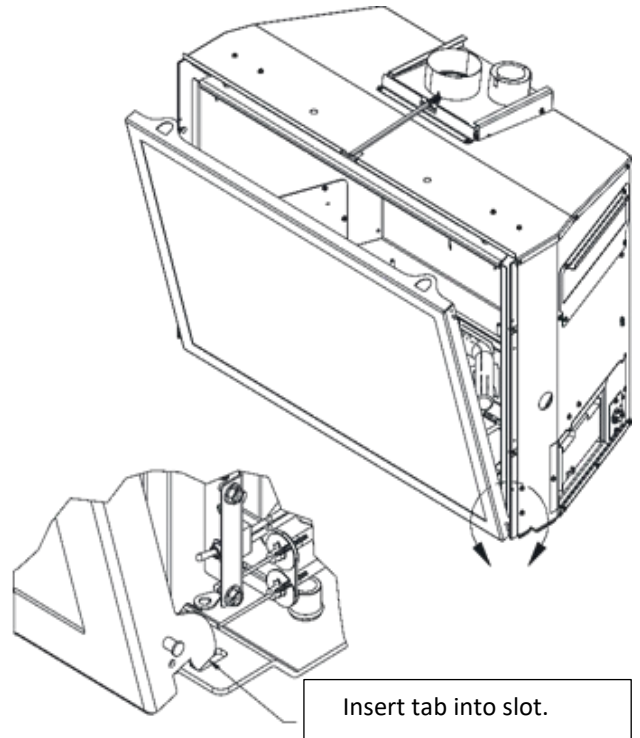
Door is now free from unit.

NOTE: Always check glass gasket condition and seal potential any time the glass door is removed and when reinstalling glass door.

4.7.2 To Replace Door

1. Line up the two bottom tabs in glass frame bottom (left and right sides) with slots on the sides of the firebox bottom. Insert tabs into slots and center tabs in slots, left to right.
2. Center glass frame over firebox; left to right.
3. After door has been placed into slots, rotate door towards firebox until gasket seal is touching the firebox frame.
4. Use the tool provided to connect the spring latches to the glass frame. Insert tool into hole in spring latch, pull latch towards you, rotate latch so the hook is facing downward then release latch to hook to door frame.

Door is now connected and sealed to unit.



4.8 LIGHT BULB AND LIGHT LENS INSTALLATION

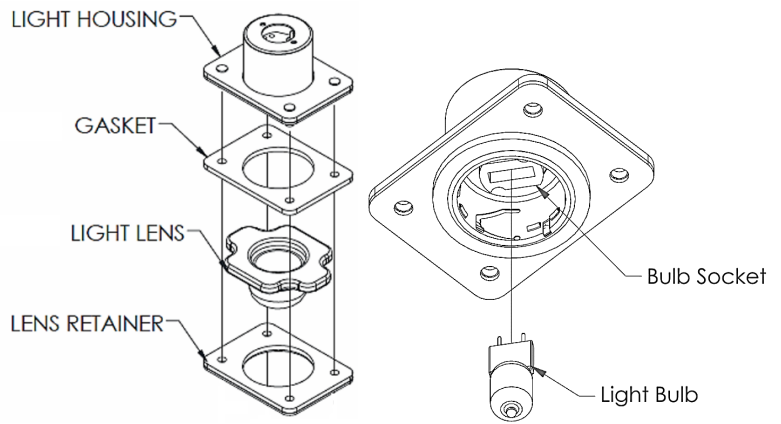
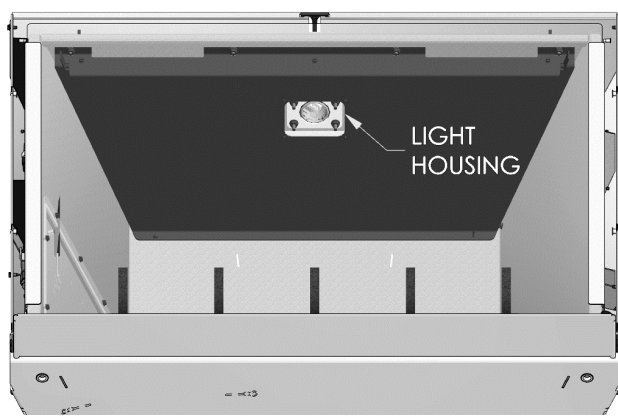
4.9 LIGHT BULB AND LIGHT LENS INSTALLATION

The insert comes with the light bulb and lens installed. To replace the bulb when needed follow the steps below.

The accent light uses a halogen G9 25Watt light bulb. Replacement bulbs are available from your Mendota dealer. Part Number 10-11-00020.

NOTICE: Do not touch the light bulb with your bare hands. Use a clean cloth or gloves when installing the new bulb. Oil and dirt from your hands will cause premature failure of the light bulb.

1. Remove the glass frame from the insert.
2. Locate the accent light at the top of the insert. The light lens is held in place with 4 nuts.
3. Use a 3/8" hex hand driver to loosen the nuts.
4. Remove the lens retainer and light lens.
5. Remove the burnt-out light bulb. Grab the bulb and pull straight down to remove it from the socket.
6. Align the base of the new bulb with the socket and push the bulb into the socket. Ensure that the bulb is pushed all the way into the socket and fits snugly.
7. Install the lens and lens retainer back over the studs and install the 4 nuts to hold the components in place.
8. Hand tighten all 4 nuts. The use a 3/8" hex had driver to tighten the nuts one turn each. Overtightening the nuts can crack the light lens.



Light Housing

4.10 NATURAL GAS TO LPG CONVERSION

4.10.1 General Conversion Information

WARNING

This conversion kit shall be installed by a qualified service agency in accordance with the manufacturer's instructions and all applicable codes and requirements of the authority having jurisdiction. If the information in these instructions is not followed exactly, a fire, explosion or production of carbon monoxide may result causing property damage, personal injury, or loss of life. The qualified service agency is responsible for the proper installation of this kit. The installation is not proper and complete until the operation of the converted appliance is checked as specified in the owner instructions supplied with the kit.

WARNING: Failure to position the parts in accordance with these diagrams or failure to use only parts specifically approved with this appliance may result in property damage or personal injury.

Kit # HA-142-00027 for Mendota Model FV33i FireIn

This conversion kit shall be installed by a qualified service agency in accordance with the manufacturer's instructions and all applicable codes and requirements of the authority having jurisdiction. If the information in these instructions is not followed exactly, a fire, explosion or production of carbon monoxide may result causing property damage, personal injury, or loss of life. The qualified service agency is responsible for the proper installation of this kit. The installation is not proper and complete until the operation of the converted appliance is checked as specified in the owner instructions supplied with the kit.

Caution: The electrical supply to the fireplace must be turned off prior to performing the conversion. The gas supply must be shut off prior to disconnecting the electrical power.

4.10.1.1 Orifice sizes requirement

A Natural Gas to LPG conversion kit #HA-142-00027 must be ordered and installed to convert the FV33i FireIn to burn LPG.

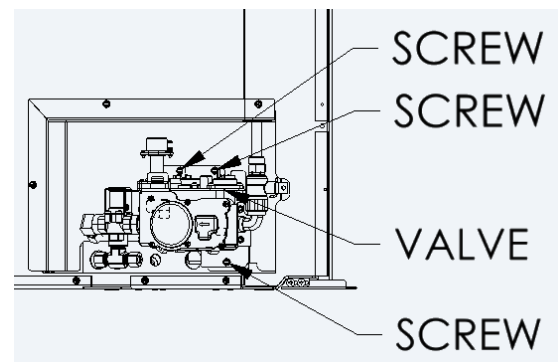
LP Conversion Kit # HA-142-00027 contains the following parts: One motorized LP pressure regulator (05-02-00346) and two #63 (65-14-00063) and one #62 (65-14-00062) orifice.

4.10.1.2 Procedure to Convert Fireplace to Burn LPG

This Fireplace Insert arrives from the factory ready to burn natural gas. If you intend to burn unit with LPG, it is required that you convert this fireplace and its pressure regulator, pilot orifice slider position and burner orifices prior to placing this fireplace in its fire-place cavity. See diagrams, on this page, and follow these instructions to prepare this fireplace for conversion to LPG.

1. Turn off gas supply at the appliance service valve if gas line has been connected to this appliance.
2. Remove the 3 screws holding the valve assembly to the valve plate.
3. Tilt the valve assembly forward and follow the steps below.

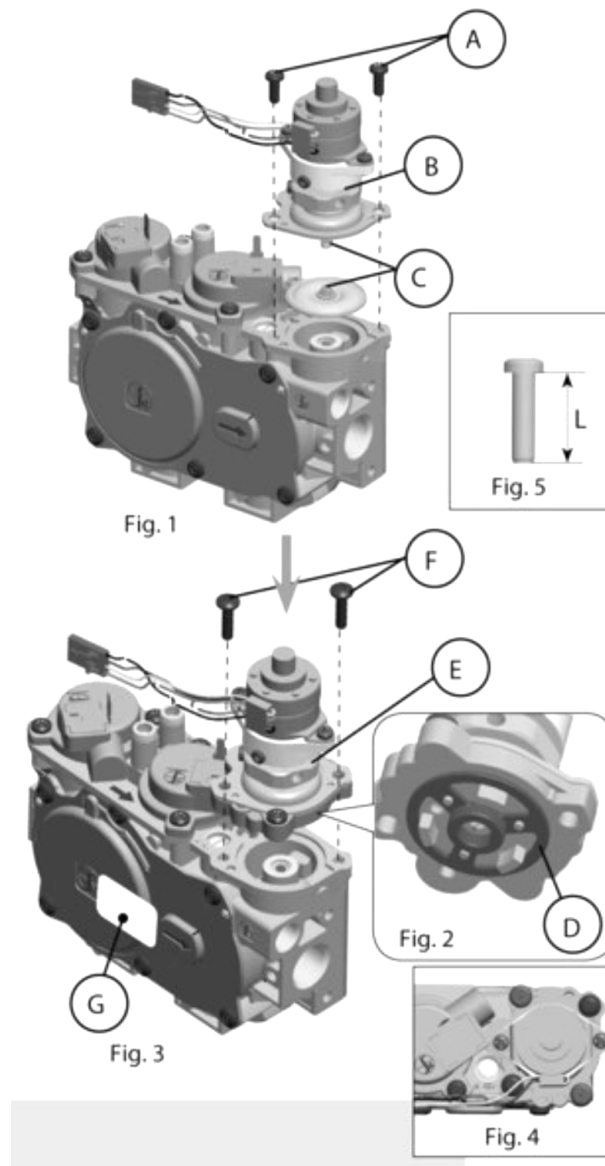
WARNING: It is of the utmost importance that the correct burner orifices be installed for the pan burner and angled burners.



Pressure Regulator Conversion

WARNING: Failure to position the parts in accordance with these diagrams or failure to use only parts specifically approved with this appliance may result in property damage or personal injury.

3. See Figure 1: Using a Torx T20 (supplied) or slotted screwdriver, remove and discard the two pressure-regulator mounting screws (A); pressure-regulator tower (B); and the spring and diaphragm assembly (C), if applicable.
4. See Figure 2: Ensure the rubber gasket (D) is properly positioned. The rubber gasket is pre-fitted as part of assembly (E).
5. See Figure 3 and Figure 4: Install the new stepper motor pressure regulator assemble. Use the provided screws (F), M4 x 0.7 threaded; length of thread $L = (16\text{mm} + 0 - 0.5\text{mm})$, steel material, resistance class 8.8 (Figure 5).
6. Manually thread the two-conversion kit mounting screws into the valve body. Use a standard screwdriver or T20 Torx bit and tighten to the screws with a fixing torque of 25lb-in, plus or minus 5.
7. Note: If the threads of the valve are stripped or damaged, replace the valve.
8. Install the enclosed identification label (G) to the valve body where it can be easily seen.



Warning: Installation should be carried out in a clean environment.

Warning: This modulating conversion kit must only be applied as part of a conversion kit supplied by the fireplace manufacturer for specific fireplace and type of gas being converted.

Warning: Correct operation of the system cannot be guaranteed if the conversion kit or valve have been dropped or sustained strong impact.

9. Remove the left and right angled burners by removing 4 screws each. Remove the floor by removing 3 screws from the rear. **NOTE: LEFT AND RIGHT BURNERS ARE LABELED WITH AND "L" AND "R"**

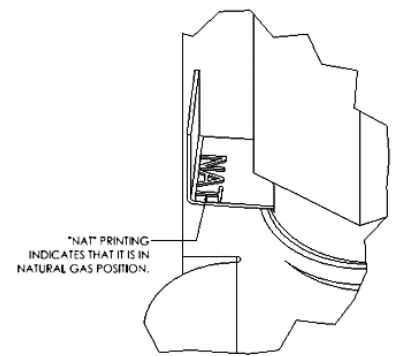
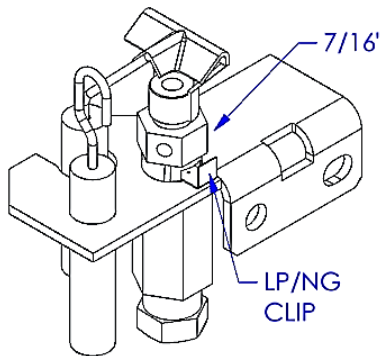
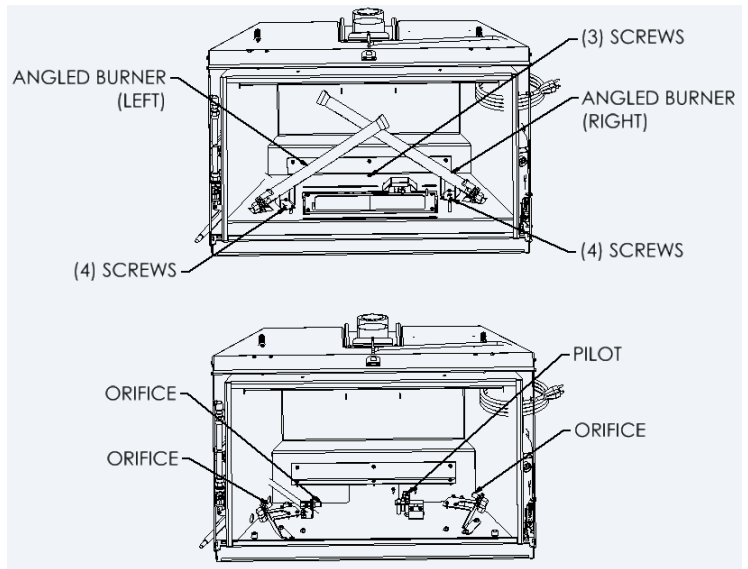
10. Install #63 orifice to both angled burners. Tighten down securely.

11. Install #62 orifice for the pan burner. Tighten down securely.

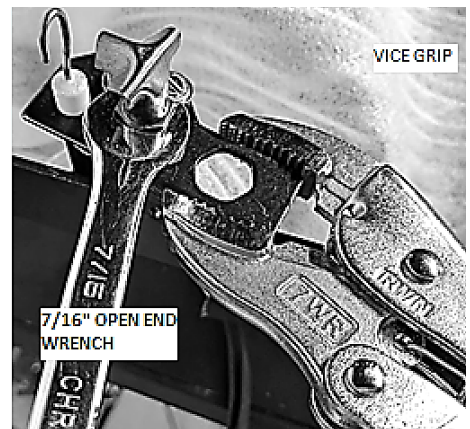
12. Locate Pilot Light on the right side of the firebox. **While holding the pilot base body with large vice grips tightly**, loosen pilot light hood using a 7/16" open end wrench on the hex shaped base. Rotate counter clock-wise ¼ turn to loosen. **DO NOT REMOVE THE PILOT HOOD, ONLY LOOSEN.**

13. Pilot arrives from the factory set for NG. Push NG/LP adjustment clip inward all the way to set it for LP. If you see "NAT" printing on the adjustment clip, this indicates that the pilot is set to burn NG. Push clip in so that "NAT" is not visible.

14. Tighten down hex shaped base of pilot using a 7/16" open end wrench



CAUTION: Always use one 7/16" open end wrench and one large pliers or vice grips tool to hold, loosen and tighten pilot hood base to prevent damage to pilot mount bracket.



4.10.2 Burner Ignition Characteristics

Note: Connect gas supply and verify that the minimum inlet and outlet pressures are conforming.

Once the conversion to LPG and all the above steps have been completed, light the main burners.

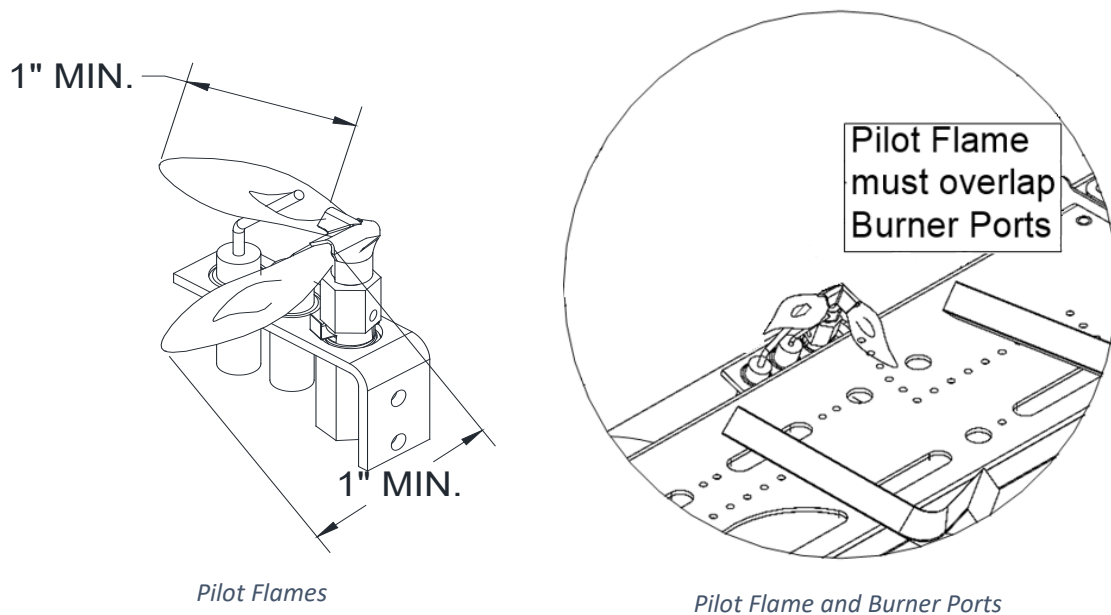
Use remote transmitter to turn on pilot light and burners. Main burner should now light IMMEDIATELY, and flame should not "lift" off burner. If there is any delay in ignition or if flame is "lifting off" burner, turn off burner and carefully check for proper installation of logs/coals, vent system and proper pilot flame impingement on burner. Logs or coals must not block pilot flame or main burner flame. Vent system must be leak proof.

WARNING: Do not proceed with operation of this fireplace unless burner "cycles" on/off without delays!

4.10.3 Pilot Flame & Burner Relationship Verification

Prior to completing the LPG conversion process, the qualified service technician must light the pilot light and verify the relationship between the pilot light flames and the main burners. The pilot light flames directed towards the propagation ports on the rear and front burner must overlap the propagation ports on the burners.

The pilot light flames must be a minimum of 1" long and must overlap the propagation ports on both the rear and front burners as shown in the diagram, below. Verify that the burner tubes ignite quickly, and the burner flames propagate smoothly along the entire length of the burners.



4.11 FIREPLACE CAVITY PREPARATION

1. Remove glass doors, metal fire screens, etc. from existing fireplace.
2. Verify that there is the required minimum clearance from the floor to the bottom of an existing mantel and a 16" minimum non-combustible hearth extension in front of the glass surface if a raised hearth is not supplied. See Chapter [Clearances](#) and Chapter [Hearth Pad Requirement](#)
3. Remove any additional framework or other obstructions in the existing fireplace opening and burning area. Also remove any existing chimney cap from top of chimney so that the vent liner can be installed freely, and the new Vent Termination Cap can be installed.
4. The entire chimney should be swept to remove creosote, soot, and any obstructions (bird nests, etc.).
5. Before Insert is installed, have gas supplier or contractor run properly sized gas supply line to the existing fireplace location. Be sure gas plumbing instructions are carefully followed. Gas supply may enter fireplace on either side or back of wood burning fireplace; whichever is most convenient and accessible. However, final gas supply connection end of the house gas supply line should be on the left rear of this appliance.
6. Electrical service (120 volt) should also be supplied to the right side of the appliance.

Note: The installer shall mechanically attach the marking, shown below, supplied with the gas fireplace insert to the inside of the firebox of the fireplace into which the gas fireplace insert is installed

WARNING. This fireplace has been converted for use with a gas fireplace insert only and cannot be used for burning wood or solid fuels unless all original parts have been replaced, and the fireplace re-approved by the Authority Having Jurisdiction."

4.12 VENTING

WARNING: Proper installation of the vent system, as required in this manual, is vital to the performance of this Insert. Oversights or failure to conform to all installation requirements will void the applicable warranty.

The FV33i Insert must be vented vertically to the outside and must use one of the approved co-linear flexible ducting system.

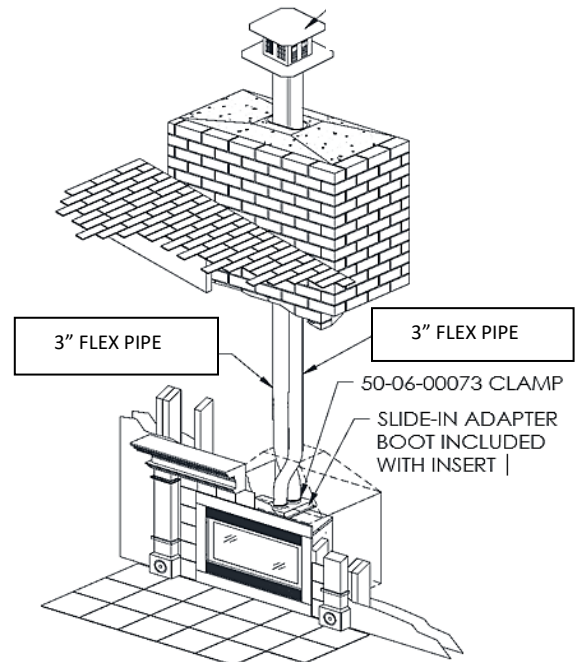
This heater must be properly connected to a venting system in accordance with the manufacturer's installation instructions. Operation of this heater when not connected to a properly installed and maintained venting system can result in carbon monoxide (CO) poisoning and possibly death.

If the vent system of this appliance is disconnected for any reason, the vent and air intake systems must be properly reassembled and resealed before this appliance is put into use.

NOTE: Mendota recommends that both exhaust and air intake flex liners be run all the way to the vent cap. Seals between flex liners and unit top and vent cap must be permanent and as airtight as possible. Never use silicone sealants in pipe joints. Use of sealants at flex pipe joints is not required. Do use both securing screws and hose clamps at all four flex connection points.

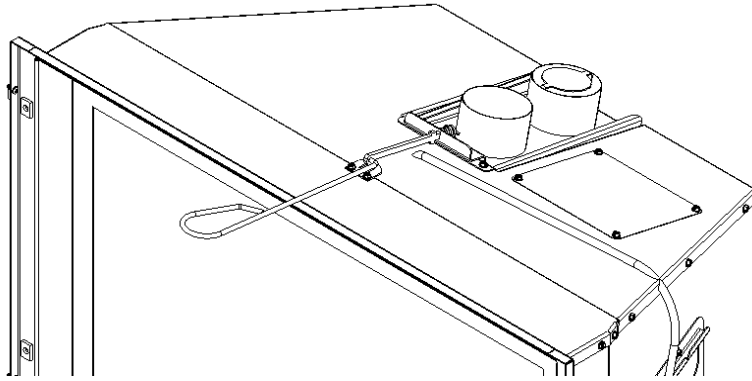
When existing wood burning chimney flue size is too small to run both 3" and 3" liners, it is an option to cut the air intake flexible duct short and run only the 3" vent flexible duct to the vent cap connector. This is generally called "stubbing". However, understand that doing so may lead to venting problems. Variations between the air pressure inside the home and atmospheric air pressures outside the home can cause venting problems and performance failures.

CAUTION: Each installation must conform to all local, state, and national codes. Refer to the national fuel gas code and local zoning and code authorities for details on installation requirements. The Mendota Inserts must be vented to the outside in accordance with the latest edition of the National Fuel Gas Code. In the absence of local codes, the installation must conform with the National Fuel Gas Code ANSI Z223.1/NFPA 54, or the Natural Gas and Propane Installation Code, CSA B149-1. Do not connect this Insert to a chimney flue serving a separate solid fuel or gas-burning appliance.

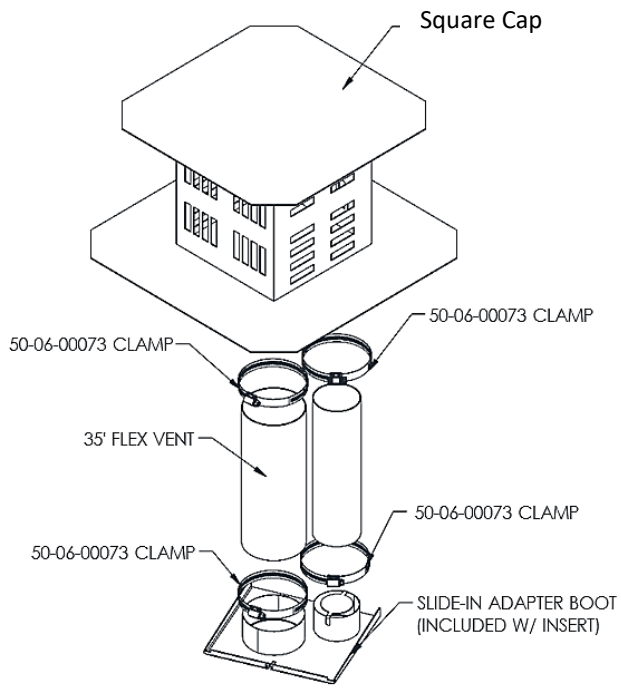


4.12.1 Removing Vent Adapter from top of unit

Remove the vent adapter by unlatching spring-loaded lever from front of the unit. Use the glass latch tool to hook into the latch, pull forward and lift latch up to release.



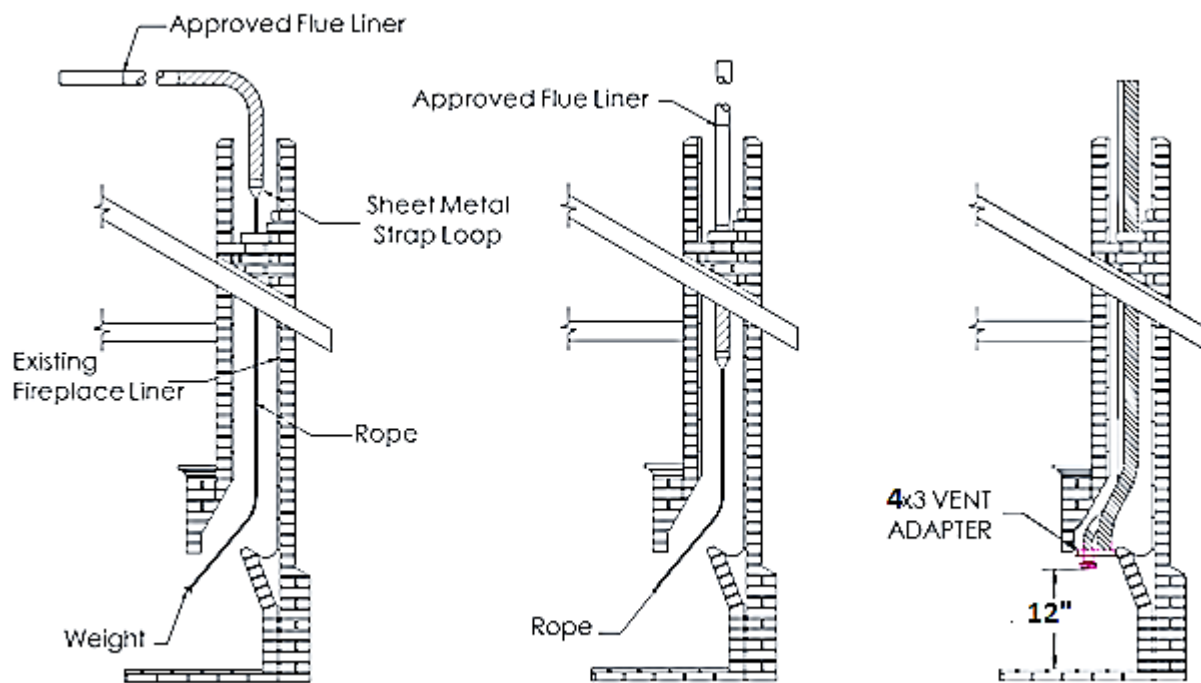
Removing Vent Adapter



Flex Liners Connections



4.12.2 Dropping Flex Vent Liners



Installing Flex Liners

1. Measure the chimney height from the top of the chimney (or the existing flue liner) to a point 12" (300 mm) above the floor of the fireplace hearth. It may be necessary to drop a rope and measure the rope itself. Be sure to allow for all offsets in existing chimney. Cut the 3" diameter flex liners to this measured length.
2. It is recommended that before installing the liners that you mark which is the exhaust and intake.
3. Attach a sheet metal strap loop to the flex end of the liner(s) and tie a rope to it. Two installers should proceed to the roof and drop the rope (with weight on the end to make sure it goes all the way down) and insert the 3" and 3" liners past the flexible portion, into the existing chimney.
4. One installer should then return to the fireplace opening and pull the rope to guide the liner(s) into place through the smoke shelf and the damper opening to a point 12" (300 mm) above the fireplace hearth. The person below should wear leather gloves and Safety Glasses during this process to avoid being cut and to safeguard eyes from flying debris.

4.12.3 Attaching Flue Liners to Vent Cap

Four hose clamps are supplied with each Mendota vent kit. Four #8 sheet metal screws are needed which are not supplied with Mendota vent kits.

For vent kits (other brands) obtained from other distributors or suppliers, acquire four 3" diameter hose clamps and eight #8 sheet metal screws. Follow these procedures to secure the flexible 3" liner and 3" liner to the Insert Top vent adapter and the vent cap starter collars:

CAUTION: Always inspect flex liners for tears and punctures. If any tears or punctures are found, do not use the liner. Replace the liner with a new one.

Make certain vent cap/ flashing is permanently sealed to chimney top using exterior grade roofing sealants.

1. At the chimney top, attach 3" flex vent to 3" starter collar on vent cap.
2. Secure 3" vent flex to 3" starter collar employing one 3" hose clamp and a ratchet. Position hose clamp close to the flashing plate. Compress the flex as much as possible around the starter collar to obtain a tight joint between starter stubs and flex inner surface.
3. Secure the flex liner to the starter collar with sheet metal screws in two equally spaced radial locations and below the hose clamp to stop hose clamp from sliding off.
4. Repeat this procedure for the other 3" flex.



Vent Cap Flex Connection
Hose Clamp first. Secure w/ Screw above Hose Clamp

4.12.4 Sealing the vent cap base plate or flashing to the Chimney Top

Note: It is required that the chimney-top be permanently sealed to prevent cold air infiltration into the home.

The vent cap base plate of a square shaped vent cap or the base plate of a co-linear to coaxial vent adapter (chimney top adapter) must be sealed airtight and permanently to the existing chimney top.

To seal to the top of a chimney, follow these steps:

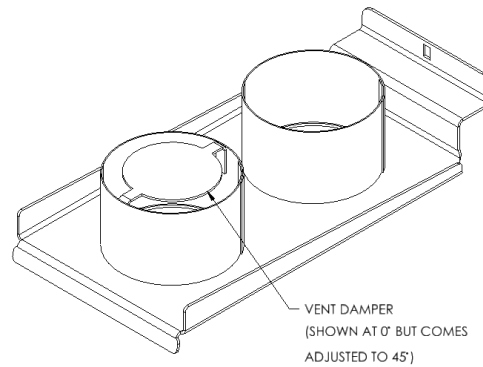
1. Trim the base plate of the vent cap or vent adapter to size and shape desired.
 - a. To seal on top a large flat surface, trim the base plate as desired but allow a minimum of 1" overlap outside the chimney top opening.
 - b. To seal on top of a terra cotta liner, trim the base plate 1-1/2" bigger all around the terra cotta liner outer perimeter. Notch corners and bend the extra 1-1/2" down to make a screw-on flanges.
 - c. To seal on top of a steel tubular vent pipe, trim to a size 2" larger in diameter than the existing vent pipe and cut slots into the outer edge of the base plate and bend down multiple tabs to make screw-on flanges.
2. Clean the top surface and side walls of the existing chimney using a stiff wire brush or sandpaper.
3. Blow off all dust and apply a 1/4" diameter bead of exterior grade silicone sealant around the chimney top opening (flat top, terra cotta liner) or the side wall top edges of metal vent pipe.
4. Place base plate on top of chimney top and secure base plate to chimney using appropriate screws.

4.12.5 Air Intake Damper Adjustment Suggestions

The Insert's vent adapter has a damper plate located on the 3" air intake tube. The vent damper comes from the factory set at a 45-degree position. Set the damper according to the length of venting used.

- Below 20'. leave in the factory position of 45-degrees.
- Above 20'. close approximately 15-degree for every 10'. above 20'.
- Above 50'. close fully.

Note: Some variations due to offsets in chimney and other factors may require fine tuning the primary damper position.

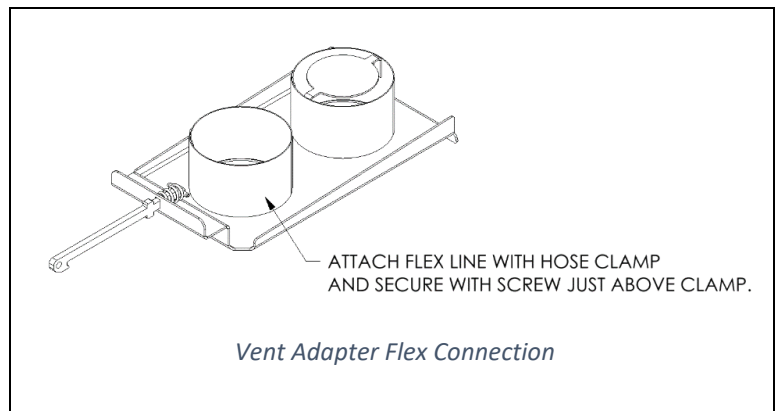


Primary Vent Damper

4.12.6 Attaching Flue Liners to Unit Top Vent Adapter

Once the two flex liners are dropped to the fireplace cavity, attach the 3" exhaust flex and the 3" air intake flex to the unit top vent adapter using hose clamps and sheet metal screws.

1. At the fireplace cavity attach 3" flex vent to 3" starter collar on sliding vent adapter.
2. Secure 3" vent flex to 3" starter collar employing one 3" hose clamp and a ratchet. Position hose clamp close to the flashing plate. Compress the flex as much as possible around the starter collar to obtain a tight joint between starter stubs and flex inner surface.
3. Secure the flex liner to the starter collar with sheet metal screws in two equally spaced radial locations and above the hose clamp to stop hose clamp from sliding off.
4. Repeat procedure for other 3" flex.

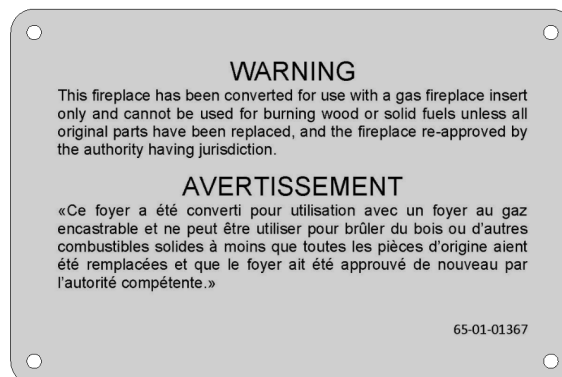


Vent Adapter Flex Connection

4.13 ATTACHING WARNING LABEL TO ZC WOODBURNING FIREPLACE FLOOR

A Warning Label is supplied with the Installation Manual Packet for this appliance.

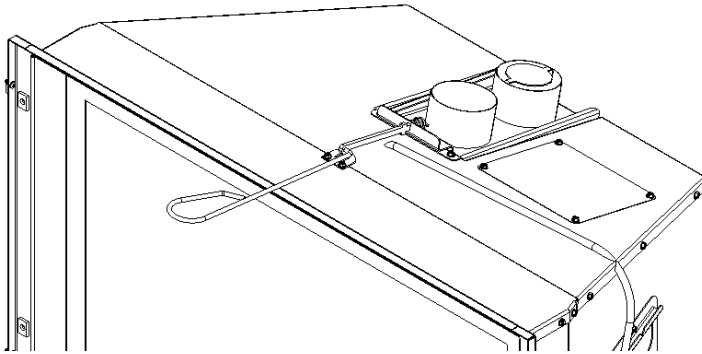
Before installing this appliance in the ZC Woodburning Fireplace, this label must be mechanically attached to the ZC Woodburning Fireplace floor using self-drilling sheet metal screws (not supplied). Secure this label on floor on the floor adjacent to the right or left walls.



Warning Label

4.14 INSERT BODY INSTALLATION

1. Carefully slide Insert body into the fireplace opening about 6".
2. Make final Gas Line connections and perform leak tests.
3. Make final Electrical Connections and verify power connection.
4. Create large vertical loops behind or to the side of the Insert body with both excess gas flex line and excess electrical MC Cable.
5. Slide vent adapter forward between guide rails. Vent adapter's front flat section should contact insert top as you slide the Vent Adapter forward.
6. Use spring loaded lever to pull vent adapter back into place on the unit and then latch it to front of unit.



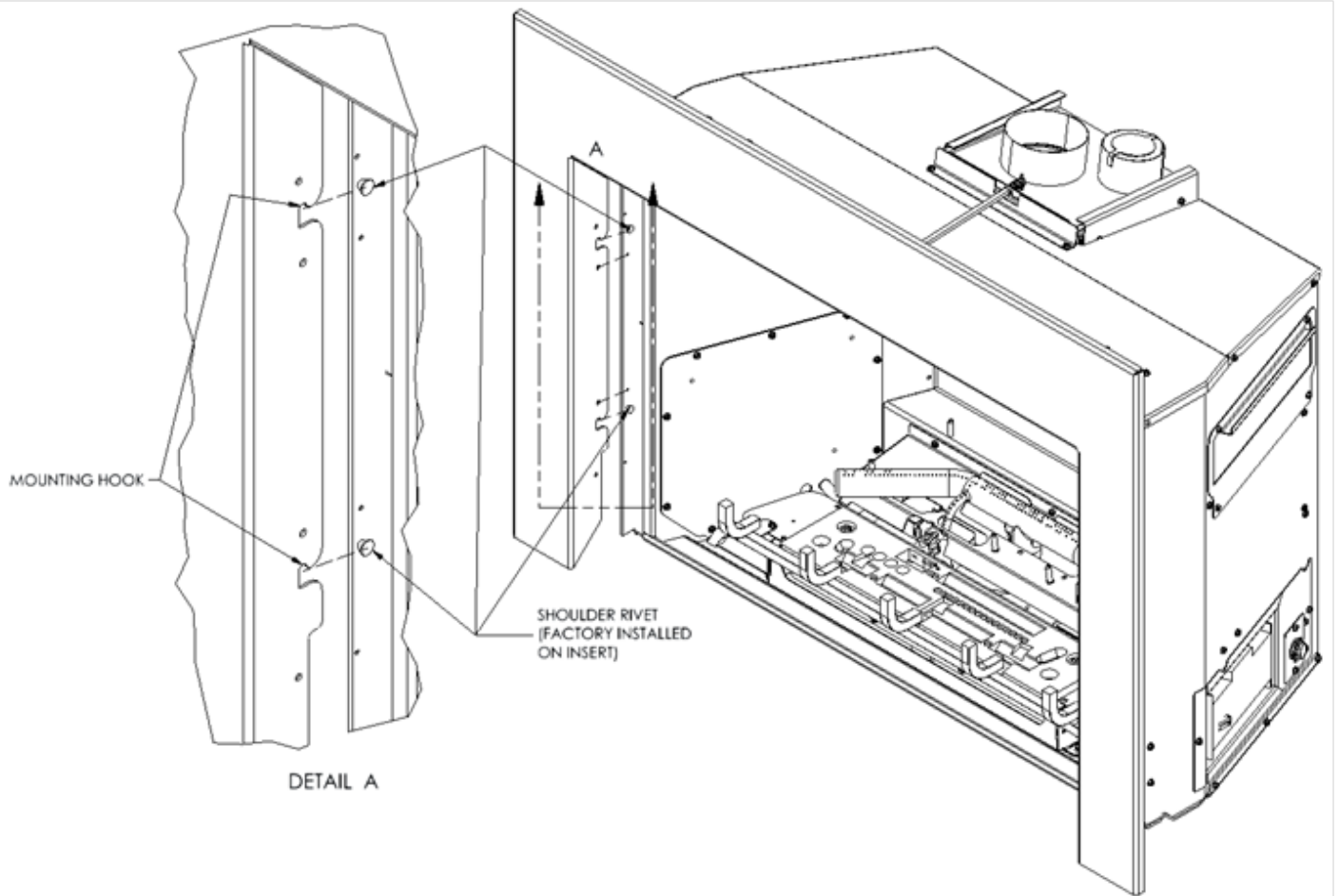
Vent Adapter Latching

4.14.1 Surround Installation

NOTE: Faceplate surrounds are only used for Mendota Door Kits (Andover, Bentley, Prairie, Homestead, Willow). Basix surrounds are used for all other decorative fronts and safety screen only installations.

1. Unwrap the Basix or Faceplate kit carefully and inspect for any shipping damage. If damage is evident, contact your Mendota Dealer.
2. Locate mounting slots on the inner left and right flanges on the Basix or Faceplate.
3. Lift Basix or Faceplate and slide the inner flanges inside outer edges of Insert.
4. Align hooks on Basix or Faceplate with the shoulder rivets that are factory installed on the left and right sides of the Insert outer skin's front edge. Lift slightly and slide hooks onto the shoulders of the shoulder rivets.
5. If you wish, you may use the four #8 X 1/2" long sheet metal screws provided to secure the Basix or Faceplate permanently to the Insert body. However, Mendota discourages doing so unless necessary. Always properly level and plumb the Insert body to prevent tipping of the insert. Failure to properly level and plumb the Insert body may lead to the Insert body tipping forward and pushing the Basix or Faceplate hooks off the shoulder rivets.

6. Proceed by mounting other optional decorative fronts and glass barrier screens that the homeowner has selected.



Surround Installation

4.14.2 Log Set/ Media Installation

Two distinctive wood species log sets are available as options for this model Insert.

1. White Oak Log Set
2. Birch Log Set

Installation Instructions for each log set are included with the individual log set. Follow those instructions to install one log set.

Note: Installer, save and give the copy of the Log Set Installation Instructions to the homeowner for future references.

4.15 TUBE AIR SHUTTER CONTROL AND FLAME APPEARANCE

During the initial installation, the air shutter opening should be checked to be certain that the left tube is set correctly at 1/8" open, right tube at 1/8" open and floor tube at 1/4" for NATURAL GAS.

Left tube 1/2" open, right tube 1/4" open and floor tube all the way open for L.P. gas. NOTE: For altitudes above 4,500', some variations may be required.

Be sure the burner and logs are properly installed. After log set has been properly installed, adjustments to the air shutter shall be made for final flame appearance. These small shutter adjustments can be made by the following procedure:

NOTE: All adjustments to the air shutter setting must be made by a qualified installer, service agency, or the gas supplier. Very small changes in shutter settings make major changes in flame appearance.

Note: Three tube air shutters exist. One for the floor burner and one for each angled burner. All burners need individual adjustment for flame color and glow effect control.

1. Air shutters are located on each burner tube.
2. If the flame is too blue, close the shutter in small 1/8" increments until flame turns desired realistic yellow.
3. If a flame is causing soot on logs or viewing glass open the air shutter until the flame burns clean.
4. IMPORTANT: Try each new shutter setting approx. 1/2 hr. before making additional changes.

4.16 LIGHTING CHECKLIST

Be sure to check these items before final operation of the fireplace Insert.

- All items on "Installation Checklist" must be completed.
- Carefully follow all lighting and log installation instructions. Make certain that pilot flame lights immediately and lights both front and rear burners.
- DO NOT proceed with operation unless burner cycles "on/off" without delays and the flame is "stable" and not "lifting" off burner after 5 minutes of initial ignition.

Caution: If ignition control system goes into lockout mode, be sure to wait a minimum of five minutes before relighting.

5 HOMEOWNER INFORMATION

Welcome to Mendota. We are proud to be the makers of world-class direct vent fireplaces and fireplace Inserts. We understand that a fireplace is a long-term investment, and we are happy you have chosen us to be a part of your family. We are committed to quality and satisfaction for all Mendota owners. Thank you for choosing a Mendota to be a source of comfort and beauty in your home.

We have designed this manual to help you enjoy all that your Mendota fireplace Insert has to offer. You will find tips, operating instructions, and frequently asked questions to support the features and functions of your fireplace Insert.

We want you to enjoy your Mendota for years to come. If you have any additional questions regarding operation of your fireplace Insert, please contact your Mendota local dealer.

5.1 AESTHETIC CONSIDERATIONS

Burning or static fireplaces are a major aesthetic focus in any room. In addition to offering the most realistic log details, textures, coloration and the most realistic wood fire options, Mendota also offers a large array of internal firebox lining options and external decorative options. Visit www.mendotaearth.com and your local Mendota dealer's show room to view all options available.

5.2 HEATING PERFORMANCE

Mendota's high heat output fireplace Insert will heat a large area of your home. Air movement options for maximizing heat circulation that can be considered are operating the Insert's convection blowers, continuous operation of central heating furnace blowers or room ceiling fans. The heat output of the fireplace can be reduced by turning off the Rear Burner and reducing flame height using the remote control. Blowers can be turned down or turned off to reduce heat distribution.

5.3 IMPORTANT INFORMATION FOR HOMEOWNER

Before you begin operation of your Gas Fireplace Insert Heater, read and familiarize yourself with information provided in the following chapters of this manual:

[FV33i FireIn Insert Ratings Information](#)

[Mendota Fireplace Insert Curing Instructions](#)

5.4 OPERATING INFORMATION

5.4.1 Using Your Remote Control

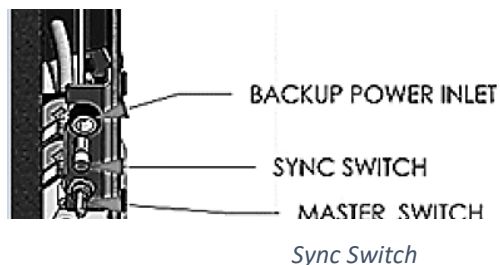
Your Mendota remote control is pre-programmed to your fireplace. Ensure you have installed 3 AAA batteries into your remote.

Press the top button on the remote control. If you do not hear a beep when you press this button, follow the instructions below to synchronize your fireplace and remote control.

5.4.2 Synchronizing Fireplace and Remote Control

Note: The master switch and sync switch are located on the bottom right corner of the fireplace in the side air gap.

Master Switch The master switch acts as the main safety on/off control for the main gas burners only. When the master switch is in the off condition, the main gas burners will not turn on. However, all other fireplace functions, including the



Continuous Pilot Mode (CPI), will operate. When the master switch is in the on-condition, the main burners will function as designed.

In case of an emergency, toggle the master switch to off to turn off the main burners.

To synchronize the fireplace and remote control, follow the steps below:

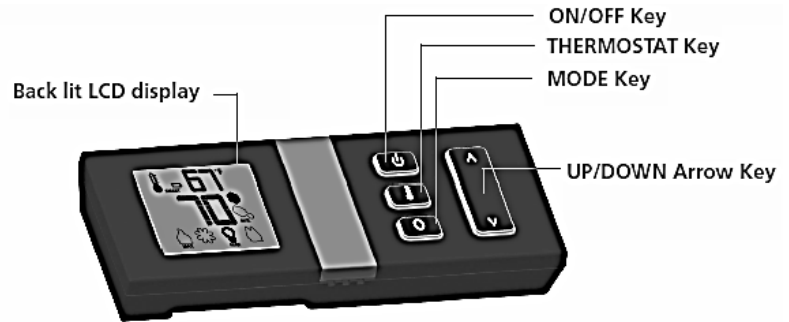
1. Toggle the **master switch** to “on” (toggle up).
2. Locate **sync switch** (above master switch in the right-side air gap). Press the sync button and release. The fireplace will **beep three times** indicating that it is ready to synchronize with a remote control. (Note: If you do not hear any beeps when you press the sync button, contact your Mendota dealer or installer for assistance.)
3. Within seven seconds, press the “on” button on the remote control. The fireplace will **beep four times** to indicate that the remote control’s command is accepted and sets to the particular code of that controller.

Your system is now initialized.

5.4.3 Remote Control Functions

NOTE: You will hear an audible beep once every time a remote-control button is pressed, signaling that the command has been received. If you do not hear the beep, press the button again.

Locate the four function buttons on the remote control:



Remote Control Buttons

1. **On/Off Button:** This button turns the fireplace on or off. When this button is pressed and the system is off, the pilot will ignite. After pilot ignition, the pilot will light the main burners. Refer to IPI and CPI Modes in this manual for pilot ignition.
2. **Thermostat Button:** This button will allow the selection of three modes: Manual, Normal Thermostat, and Smart Thermostat.
 - a. **Manual (Off):** In this mode, the fireplace can be turned on, regardless of the room temperature. The actual room temperature has no effect in this mode. All other functions such as fan speed control, flame height control, secondary burner on/off control and accent light intensity controls are manually controlled.

WARNING: Do not leave this appliance burning and unattended for long periods in the manual(off) mode. Leaving the appliance burning in manual (off) mode for long periods can lead to overheating of the living space which can negatively affect plants, animals, infants, and vulnerable people.

Note: In Manual Mode, the fireplace will automatically shut off after 12 hours of continuous use. In Normal Thermostat and Smart Thermostat modes, if the fireplace does not receive a prompt from the remote-control transmitter for 60 minutes, the fireplace will automatically shut off. This can occur if the remote control is moved to another room or if the remote batteries are very weak.

- b. **Normal Thermostat (On):** In this mode, the fireplace will turn itself on and off, depending on the temperature you set. When you set the fireplace thermostat, the fireplace will stay functioning until the room temperature increases 1°F above the set thermostat temperature. To increase the thermostat temperature, press the up button until the desired temperature is displayed in the thermostat temperature window. The fan will turn on five minutes after fireplace startup and will turn off 12-1/2 minutes after the flames turn off, in this mode. The flame height can be adjusted while the fireplace is functioning, fan speed can be adjusted after five minutes of startup. Rear burner can be turned on or off at any time after startup. The accent light can be adjusted any time after startup.
 - c. **Smart Thermostat (Smart):** In this mode, room temperature is maintained, and flame height adjusts automatically to provide continual, efficient heat. All other functions of the normal thermostat mode, except the flame height adjustment, are allowed. Manual flame height adjustment is not allowed in this mode. The Smart Thermostat function adjusts the flame height in accordance to the difference between the set point temperature and the actual room temperature. As the room temperature gets closer to the set point temperature, the Smart Thermostat automatically modulates the flame down.
3. **Up/Down Button:** This button is used to increase or decrease the thermostat temperature, flame height, fan speed, and accent light intensity. This also controls the rear burner on/off.
4. **Mode Selection Button:** This button is used to toggle between the various function icons: flame height, fan speed, accent light, and rear burner.

**Thermostat
Off/On/Smart**



Figure 4-1 Display Modes

5.5 REMOTE CONTROL OPERATING INSTRUCTIONS

5.5.1 To Turn on the Fireplace

NOTE: If the fireplace does not respond to the remote-control commands, the fireplace system may have entered “safety lockout” mode. To reset the system, see [Why won't my fireplace turn on?](#)

1. Press the on/off button. The remote-control display will show all active icons on the screen.
2. Select the thermostat mode by pressing the thermostat button: OFF (meaning Manual), ON (meaning Normal Thermostat) or Smart (meaning Smart Thermostat).
 - a. If the thermostat icon displays as “OFF” (Manual), the fireplace will ignite and start on Hi.
 - b. If the thermostat icon displays as “ON” (Normal Thermostat), the fireplace will only ignite if the thermostat temperature is greater than the room temperature.
 - c. If the thermostat icon displays as “SMART” (Smart Thermostat), the fireplace will only ignite if the thermostat temperature is greater than the room temperature.

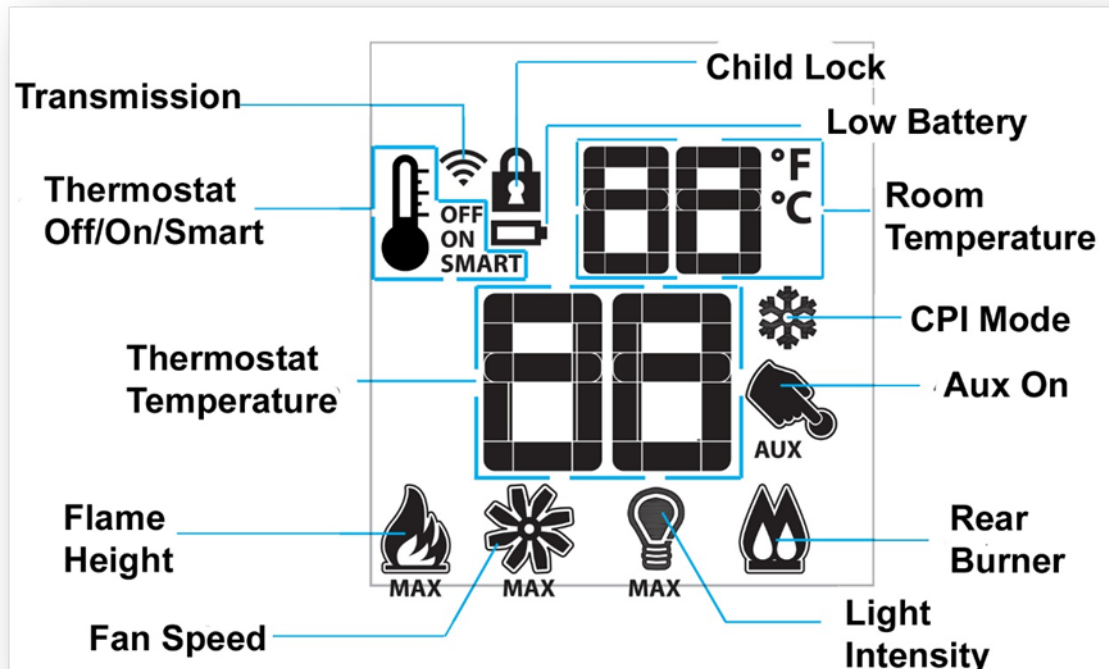
5.5.2 To Turn off the Fireplace

Press the on/off button.

5.5.3 Understanding Your Remote-Control Icons

Your remote control displays and controls the following functions. See below for detailed control explanations.

Note: the “AUX On” function is not used in this fireplace.



Remote Control Icons

5.5.4 Icon Details



Mode Button: Pressing the mode button toggles between the various available functions: flame height, fan speed, accent light intensity and rear burner on/off.



FLAME HEIGHT

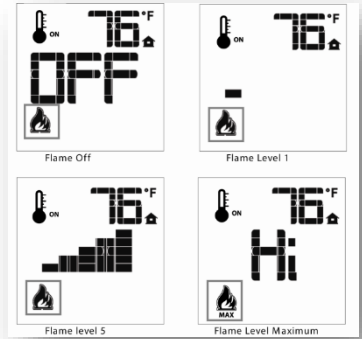
Flame Height: Six flame height levels are available. While the flame height icon is displayed, pressing the up or down button once will increase or decrease the flame height by one of six increments.

If the flame height is at Level one and the down button is pressed, all burners will turn off.

If in IPI mode, the pilot will also extinguish.

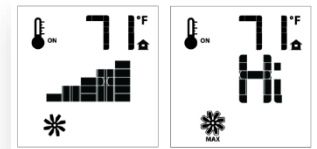
If in CPI mode, the pilot will remain on.

Note: If in Smart Thermostat, the flame height function is not available for manual adjustment. In Smart Thermostat, the flame height regulates automatically.

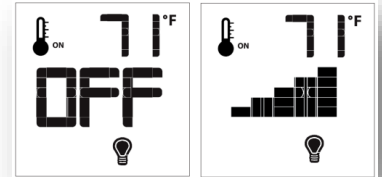


FAN SPEED

Fan Speed Control: The fan speed can be adjusted through six speeds and off. To activate this function, press the Mode button until it displays the fan icon. Use the up/down arrow button to turn on, off, or adjust the fan speed. Once you set the desired fan control, the system will remember your selected fan speed until you manually change it.

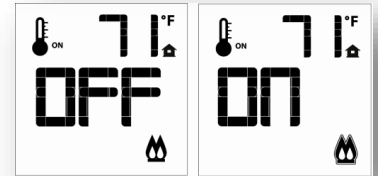


Accent Light: This function controls the accent light functions. Pressing the UP button in this mode will turn on the accent light and allow you to control the 6 levels of intensity. Once you set the desired light intensity, the system will remember your selection until you manually change it.



2nd BURNER

Rear Burner: This function controls the rear burner on/off feature. Pressing the up button in this mode will turn on the rear burner and pressing the down button will turn off the rear burner. The flame height of the front burner will not change when you turn the rear burner on or off. The flame height can only be changed in the Flame Height mode.



5.6 IPI AND PILOT ON DEMAND MODES

Intermittent Pilot and Pilot on Demand Features

This gas fireplace is equipped with an electronic ignition system that first lights a pilot then uses the pilot to ignite the main burners. The pilot can be set in the CPI (Pilot on Demand) mode to allow the pilot to remain on for 7 days before timing out by setting the remote control to CPI mode. If the remote control is set to the IPI (Intermittent Pilot Ignition) mode, the pilot will only light and remain ON while the main fireplace burners are operating.

IPI Mode: This mode turns the pilot off when the fireplace is not functioning and only lights the pilot automatically when a call for heat is made by the remote control.

CPI Mode: If set to CPI mode, the pilot will ignite and remain on for a time of 7 days of inactivity before shutting off. Each time the fireplace is used the 7-day clock will reset.

5.6.1 Setting to IPI or CPI mode

With the remote control OFF, press the MODE button. You will see either “CPI” or “IPI” displayed on the screen. Press the Up-arrow button to set “CPI” mode and press the DOWN arrow button to set “IPI” mode. Once set to the desired setting, press ON/OFF button to activate the fireplace.



Note: The snowflake icon will be always visible on the display when in CPI mode.

Recommended: Mendota recommends that **CPI mode is used during the winter months**

when the average daily high temperature falls below 50°F. This will keep the fireplace chimney heated for proper updraft during burner ignition, and it will also eliminate excessive condensation of exhaust vapors on the door glass. Leaving the fireplace in CPI mode will keep the fireplace body warm and eliminate cold drafts and heat loss to the cold air that is trapped inside the firebox.

5.7 FIRST TIME LIGHTING INSTRUCTIONS

Warning: If you do not follow these instructions exactly, a fire or explosion may result causing property damage, personal injury, and loss of life.

WHAT TO DO IF YOU SMELL GAS

- Do not light any appliance.
- Do not touch any light switch.
- Do not use any phone in your building.
- Call your gas supplier from a neighbor's phone.
- Follow the provider representative's instructions.
- If you cannot reach your gas supplier, call the fire department for assistance.

5.7.1 Safety Information

- This fireplace is equipped with an ignition device which automatically lights the pilot. Do not attempt to light pilot by hand.
- **Before operating**, smell all around fireplace area for gas. Be sure to smell next to the floor because some gas is heavier than air and will settle on the floor.
- Toggle Master Switch to **ON**. Remote control will not communicate to receiver unless the Master Switch is **ON**.
- Use only the supplied remote control to light the pilot. This valve will not operate if the pilot is not lit and stable.
- Do not use this fireplace if any part has been underwater. Immediately call a qualified service technician to inspect and replace any component which has been under water. Attempted operation may result in fire or explosion resulting in property damage, personal injury, and loss of life.

5.8 OPERATING INSTRUCTIONS

1. Read the above safety information carefully before proceeding.
2. Do not attempt to light the pilot by hand; the door must remain on this unit during pilot ignition, except for the "First Time Lighting".
3. Press the ON/OFF button on remote control to begin the ignition sequence.
4. The fireplace will emit an audible beep then the igniter will begin to spark. After the pilot lights and is established, the valve will automatically open, and the burner will light. The burner will initially light to full flame. Adjust it to an appealing setting with the remote. See Remote Operating Instructions in Operating Instructions Manual.
Warning: If the pilot fails to light, the system will "lockout". Press ON/OFF button on remote control to Turn Off the system and reset the "lockout". Allow five minutes for any gas in the unit to dissipate before attempting to re-light the pilot.
5. Press ON/OFF button on remote control again to start ignition sequence.
6. If the fireplace will not operate, follow the instructions "To Turn off Gas to Fireplace" below and call your service technician or gas supplier.

5.9 TO TURN OFF GAS TO FIREPLACE

1. Press the ON/OFF button on the remote control.
2. Turn off CPI Pilot Mode from remote control.
3. Turn off the internal manual shutoff valve in the appliance.
4. Turn OFF the external manual shutoff valve if was required and supplied by installer and mounted adjacent to fireplace.
5. Turn OFF all electric power to the fireplace if service is to be performed.

5.10 FREQUENTLY ASKED QUESTIONS

5.10.1 What to do if I smell gas?


If you smell gas:

- Do not light any appliance.
- Do not touch any light switches.
- Do not use any phone in your building.
- Call your gas supplier from a neighbor's phone.
- Follow the provider representative's instructions.
- If you cannot reach your gas supplier, call the fire department for assistance.

5.10.2 Where can I find the model and serial numbers?

When requesting service, you will be asked to provide the **model number** and **serial number** to your Mendota dealer. This information will expedite the warranty verification process. This is an example of your listing label:

Listing label location: The listing label is located in the air gap on the left side of the Insert between the glass frame side and the outer edge of the Insert. It is attached to a chain and can be pulled out to be viewed.



MENDOTA
NORTH AMERICA'S LUXURY FIREPLACE

DIRECT VENT GAS FIREPLACE HEATER
(POLEE AU GAZ MONTAGNE À VÉNERATION DIRECTE)
NOT FOR USE WITH SOLID FUEL
(NE DOIT PAS ÊTRE UTILISÉ AVEC UN COMBUSTIBLE SOLIDE)

MANUFACTURED BY (FABRIQUÉ PAR)
JOHNSON GAS APPLIANCE CO. HAWAIIA, IOWA
CERTIFIED FOR CANADA (HOMOLOGUÉ POUR LE CANADA)
CERTIFIED TO (CERTIFIÉ ENSEZ) BS 2019:2021 CSA
333-201992024 CATEGORY APPLIANCE

Refer to the Intertek Directory of Building Products (<https://bpdirectory.intertek.com>) for detailed information.
Consultez l'Intertek Directory of Building Products (<https://bpdirectory.intertek.com>) pour des informations.

WARNING: IMPROPER INSTALLATION, ADJUSTMENT, ALTERATION, SERVICE OR MAINTENANCE CAN CAUSE PROPERTY DAMAGE, PERSONAL INJURY, OR LOSS OF LIFE. REFER TO THE OWNER'S INFORMATION MANUAL PROVIDED WITH THIS APPLIANCE. INSTALLATION AND SERVICE MUST BE PERFORMED BY A QUALIFIED INSTALLER. THIS VENTED GAS APPLIANCE IS NOT FOR USE WITH AIR FILTERS. FOR USE ONLY WITH GLASS BARRIER Part no. AB-11-03119
MISE EN GARDE: INSTALLATION, RÉGLAGE, MODIFICATION, ENTRETIEN OU DÉPANNAGE NON APPROPRIÉS POURRONT CAUSER DES BLESSURES OU DES DOMMAGES MATÉRIELS. RÉFÉREZ-VOUS AU MANUEL DU PROPRIÉTAIRE FOURNI AVEC CET APPAREIL POUR ASSISTANCE OU RENSEIGNEMENTS COMPLÉMENTAIRES. VÉRIFIEZ CONSULTER UN INSTALLATEUR EXPÉRIMENTÉ, UNE AGENCE DE DÉPANNAGE ENTRETIEN OU VOTRE COMPAGNIE GAZIÈRE. POUR UTILISATION AVEC LES PORTES EN VERRE CERTIFIÉES L'APPAREIL SEULEMENT. NE PAS OPÉRER AVEC LE VERRIÈRE ENLEVÉ, CRAQUELURE, BRISÉ.
WARNING: DO NOT OPERATE THE APPLIANCE WITH GLASS FRONT REMOVED, CRACKED OR BROKEN. REPLACEMENT OF THE PANEL(S) SHOULD BE DONE BY A LICENSED OR QUALIFIED SERVICE PERSON. FOR USE WITH GLASS DOORS CERTIFIED WITH THE APPLIANCE ONLY. AVERTISSEMENT: NE PAS UTILISER L'APPAREIL SI LE PANNEAU FRONTAL EN VERRE N'EST PAS EN PLACE, EST CRAQUÉ OU BRISÉ. CONFIEZ LE REMPLACEMENT DU PANNEAU À UN TECHNICIEN AGRÉÉ. SEULES DES PORTES CERTIFIÉES POUR CET APPAREIL DOIVENT ÊTRE UTILISÉES.

	<input type="checkbox"/> NATURAL GAS GAS (GÉZÉRIÈRE)	<input type="checkbox"/> LP GAS GAS NATUREL (GÉZÉRIÈRE)
INPUT RATING (BTR/HR) (0-2000ft (0-610m)) (ENTRÉE NOMINALE)	29,000	29,000
MIN. INPUT RATING (BTU/HR) (0-2000ft (0-610m)) (MINIMALE ENTRÉE NOMINALE)	8,400	9,100
ORIFICE 0-2000ft (0-610m) (PAN/LEFT (RIGHT))	50/52/52	62/63/63
ORIFICE 2000-4500ft (610-1370m) (PAN/LEFT (RIGHT))	50/52/52	62/63/63
INPUT RATING (BTU/HR) 2000-4500ft (610-1370m)	29,000	29,000
MAXIMUM OUTPUT (BTU/HR) (SORTIE MAXIMALE)	22,556	22,556
MANIFOLD PRESSURE (in. w.c./kPa) (PRESSION AU COLLECTEUR)	3.5 (0.87)	10.0 (2.5)
MANIFOLD PRESSURE, LOW (in. w.c./kPa) (PRESSION AU COLLECTEUR MINIMALE)	1.6 (0.4)	6.4 (1.6)
MINIMUM INLET PRESSURE (in. w.c./kPa) (PRESSION D'ENTRÉE MINIMALE)	5.0 (1.24)	11.0 (2.74)

THIS APPLIANCE IS ONLY FOR USE WITH THE TYPE OF GAS INDICATED ON THE RATING PLATE AND MAY BE INSTALLED IN AN AFTERMARKET, PERMANENTLY LOCATED, MANUFACTURED HOME (USA ONLY) OR MOBILE HOME, WHERE NOT PROHIBITED BY LOCAL CODES. SEE OWNER'S MANUAL FOR DETAILS. THIS APPLIANCE IS NOT CONVERTIBLE FOR USE WITH OTHER GASES, UNLESS A CERTIFIED KIT IS USED.
CET APPAREIL DOIT ÊTRE UTILISÉ UNIQUEMENT AVEC LE TYPE DE GAZ INDICÉ SUR LA PLAQUE SIGNALÉTIQUE. CET APPAREIL PEUT ÊTRE INSTALLÉ DANS UNE MAISON PRÉFABRIQUÉE OU MOBILE (É.-U. SEULEMENT) INSTALLÉE À DEMEURE SI LES RÉGLEMENTS LOCAUX LE PERMETTENT. VOIR LA NOTICE DE L'INSTALLATEUR POUR PLUS DE RENSEIGNEMENTS. CET APPAREIL NE PEUT PAS ÊTRE UTILISÉ AVEC D'AUTRES GAZ SAUF SI UNE TROUSSE DE CONVERSION CERTIFIÉE EST FOURNIE.

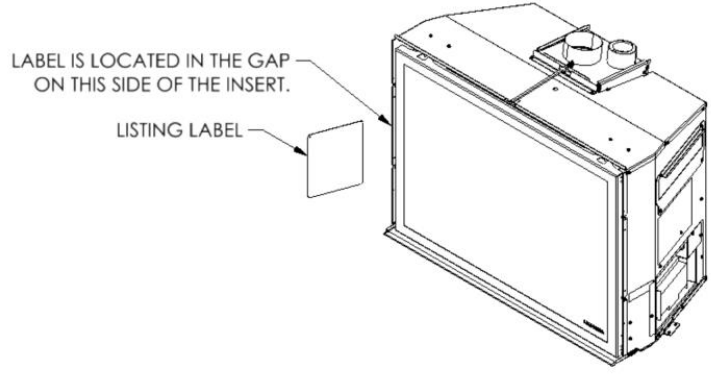
UNIT TO SIDEWALL 18in. (457 mm) 8" MANTLE ABOVE DISCHARGE AIR OPENING 12in. (305 mm)

CAUTION: HOT WHILE IN OPERATION. DO NOT TOUCH. KEEP CHILDREN, CLOTHING, FURNITURE, AND FLAMMABLE LIQUIDS OR VAPORS AWAY. KEEP GASOLINE AND OTHER LIQUIDS HAVING FLAMMABLE VAPORS AWAY.
ATTENTION: L'APPAREIL EST CHAUD LORSQU'IL FONCTIONNE. NE PAS TOUCHER L'APPAREIL. SURVEILLER LES ENFANTS. GARDER

ELECTRICAL RATING (COURANT NOMINAL): 120 VOLTS 60 HERTZ LESS THAN 1.5 AMPERES

DO NOT REMOVE OR COVER THIS LABEL
VÉRIFIEZ À NE JAMAIS ENLEVER NI DISSIMULER CETTE ÉTIQUETTE 65-01-01466

MODEL: FV33i FireIn SN: 5391-



LABEL IS LOCATED IN THE GAP ON THIS SIDE OF THE INSERT.

LISTING LABEL

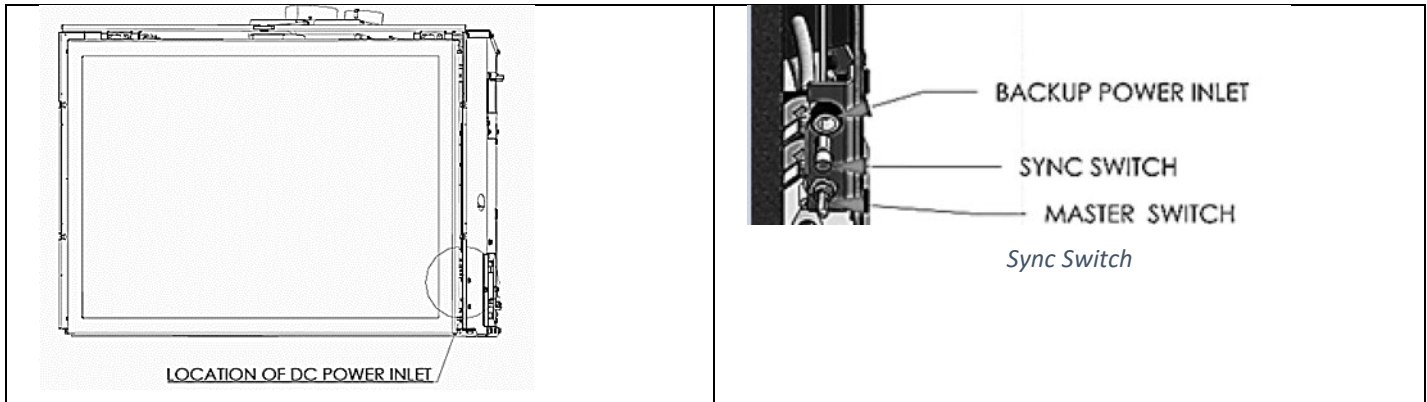
Figure 4-2 Serial Number Label Location

5.10.3 Can I operate my Insert during power outages?

This electronic ignition system uses the supplied 110VAC power when it is available for all functions of this system. If you experience a power outage, plug in the battery pack (6V DC maximum, supplied with this fireplace) to the fireplace backup power inlet port.

During the power outage, the fireplace's burner will function as well as the flame height adjustment. The fan and accent light, which are dependent on 110VAC power, will not function.

Your installer should demonstrate the backup DC power pack during power outages. Be sure to retain the DC battery pack and the connecting harness in a safe and secure place for use during power outages.



5.10.4 What maintenance is required?

5.10.4.1 Required Annual Maintenance

The following procedures must be performed each year by a qualified installer, service agency or the gas supplier.

Note: Any adjustments to burner, pilot or logs must be done by a qualified installer, service agency or the gas supplier.

The following procedures must be performed each year by a qualified installer, service agency or the gas supplier.

Note: Any adjustments to burner, pilot or logs must be done by a qualified installer, service agency or the gas supplier.

Recommended steps for yearly maintenance:

1. Clean all lint and dust build-up around the control. Inspect the condition of any wiring under the burner for melting or damage.
2. Clean pilot light flame sensor rod and sparker rod using emery cloth. Vacuum clean pilot light assembly.
3. Visual check of pilot flames is required. Pilot flame must overlap flame sensor and burner ignition ports always. Especially for LP gas applications, always verify visible pilot flame length is at least 1" long.
4. Vacuum all burner ports. Be sure the burner ports are "open".
5. Visual check of main burner's rear and front flames is required.
6. Remove logs and coals and clean away any foreign matter (lint, carbon, etc.) on the burner and logs.
7. Clean under side of the logs for any carbon deposits. Note: Logs should be visually checked for carbon buildup. If carbon deposits are visible on logs, unit should be turned off and a qualified installer, service agency or the gas supplier contacted. Be sure logs are re-installed per instructions.
8. Check condition of glass door gasket, gasket must seal tightly over firebox. Inspect gasket along top and sides of glass. If gasket bulb along top edge or side top areas are discolored to a white color appearance (through the whole thickness of the gasket bulb in a 3" to 12" long area) and the gasket adhesive is no longer functional to stick to glass, then replace the gasket.
9. Visually inspect the vent terminal (vent cap) for leaves, twigs, and other debris accumulation. Clean if required.
10. Clean door glass.
11. Clean enamel firebox lining if one is installed.

5.10.4.2 Periodic Inspection

Follow these steps for periodic inspections:

1. Check to verify that the vent system and vent cap are open and free of blockage.
2. Before re-installing glass, have qualified service person check the operation of the pilot and cycle the burner per lighting instructions. Be sure all items in lighting and installation checklists are completed.
3. Periodic visual check of pilot flames is required. Pilot flame must overlap flame sensor and burner ignition ports always. Especially for LP gas applications, always verify visible pilot flame length is at least 1" long.
4. Periodic visual check of main burner's rear and front flames is required.

5.10.5 How do I clean the viewing glass?

The viewing glass should be cleaned periodically. Exterior glass surface may be cleaned with cleaner as desired. To clean interior glass surface, use Kel Kem Polish Plus (part # 65-06-00455) or a comparable product. **Caution: Do not** use oven cleaner to clean glass. **Clean the glass only when it has cooled to room temperature.**

Additives that are put in gas (both natural and propane) to make it smell can be harmful to glass and can leave a white film deposit on the glass. This deposit can be removed, if cleaned in a timely manner, with cleaners such as KEL KEM "Polish Plus" (part # 65-06-00455) or comparable product (contact your dealer).

5.10.6 Is my flame performance correct?

Your fireplace has air shutters, dampers, coals, and embers that can be adjusted depending on your fuel and venting configuration. These adjustments should be made by a qualified technician to achieve the best flame performance. Contact your installer or Mendota dealer if you feel your fireplace is not burning correctly. Improper setup and adjustment is not covered under warranty.

5.10.7 What should I do if my fireplace is sooting?

Sooting is caused by improper installation or air shutter operation. However, some small areas of soot deposits on log surfaces are deemed acceptable. If you observe large soot areas (larger than 1"x1") on log surfaces or signs of sooting on the door glass (usually a thin black film on the Fireplace viewing glass or on the outside of the home around the vent cap), the unit must be immediately turned off and the local Mendota dealer promptly informed. Mendota dealers will correct "sooting" problems, but Mendota and their dealers are not responsible for damage caused by excessive sooting that has not been immediately brought to their attention. Troubleshooting soot:

Issue:	Possible Causes:	Corrective Action:
Thin black coating (soot) forms on viewing glass.	A. Incorrect gas pressure or burner orifice size. B. Not enough combustion air. C. Leaking glass gasket. D. Vent system compromised. E. improper log and/or ember placement	Have gas supplier check for correct gas outlet pressure (3.5" W.C. Nat. Gas; 10" W.C. LP Gas). Check Orifice Sizes. Check glass gasket for proper seal. Corners of glass gaskets cannot be bulging out. If glass gasket along top edge in the middle is white in color across entire thickness of gasket bulb and gasket adhesive is not functional, replace glass gasket. If sooting continues, open air shutter on burner. If sooting continues, shut off unit and call Mendota service person. NOTE: To clean glass - remove glass and wipe glass with cloth or paper towel.

5.10.8 How do I change from Celsius to Fahrenheit?

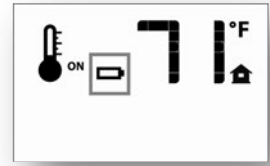
To change between °C to °F, follow these steps:

1. Press the ON/OFF button and turn off the fireplace.
2. Simultaneously, press both the mode button and the thermostat button.
3. Look at the LCD display to verify that your desired indicator (°F or °C) is being displayed.

If not, repeat Step 2.

5.10.9 When do I change batteries in my remote?

When the remote-control batteries are low, a battery icon will appear on the LCD display of the remote control before all battery power is lost. When the batteries are replaced, this icon will disappear.

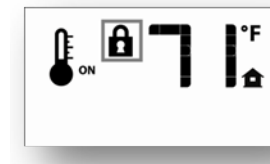


5.10.10 How do I set the child-lock mode?

To prevent unsupervised children from operating the fireplace, a child-lock function is provided with this remote-control system.

To activate the child-lock function: Simultaneously press the “MODE button” and the “UP button”.

To deactivate the child-lock function: Simultaneously press the “MODE button” and the “UP button”.



During the child-lock mode, none of the remote-control buttons will function. You must deactivate the child-lock function before you can use the remote control.

5.10.11 Thermostat icon disappeared from my remote.

When reinstalling batteries, the thermostat button may have been pressed. To make your thermostat icon reappear, follow these steps:

1. Remove one battery.
2. Press and hold the thermostat button on the remote.
3. Reinstall the battery while holding the thermostat button down.
4. If you see “set”, the thermostat button is now enabled.
5. If you see “clear”, the thermostat button is disabled.
6. Repeat this procedure if you did not see “set” or “clear” to add/remove the thermostat option.

5.10.12 Why won't my fireplace turn on?

If your remote control is working, but your fireplace will not turn on, your fireplace may be in “lockout” mode.

How to reset a lockout:

1. Turn off remote.
2. Turn on remote and wait two seconds.
3. Turn off remote and wait two seconds.
4. Turn on remote and wait two seconds.
5. Turn off remote.

This should clear the lockout mode. Turn on the remote and start the fireplace.

Ensure the master switch is in the run/on position.

After completing these steps, contact your Mendota dealer if fireplace will not turn on.

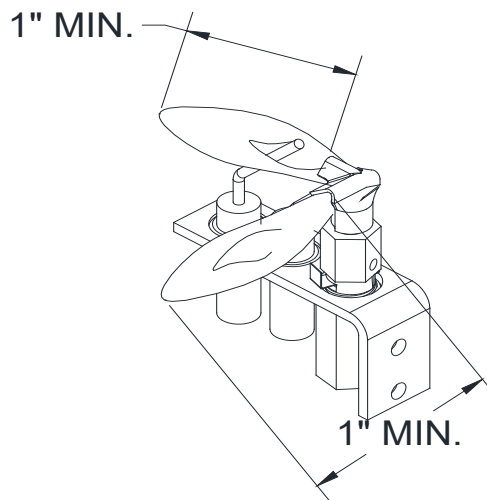
5.10.13 What happens when I first light my fireplace?

When you first light your fireplace, the initial curing phase is initiated. During the initial curing phase, a small amount of smoke and odor will be emitted. This is normal. To complete the curing process, run your fireplace, on high fire, for two hours with the fans on level 3. Open doors and windows to dissipate any odor. Turn your fireplace off. After it has cooled, run it again, on high fire, with the blowers off until no smoking or odor remains. Refer to [Mendota Fireplace Insert Curing Instructions](#) for more information.

6 MAINTENANCE INFORMATION

6.1 REQUIRED PERIODIC INSPECTIONS

1. Check to verify that the vent system and vent cap are open and free of blockage.
2. Have qualified service person check the operation of the pilot light. Pilot light must light within the first five to eight seconds of ignitor sparks initiation. If it takes more ten seconds to ignite the pilot flame, check pilot spark rod position and ignitor wires for pinched areas or damaged areas.
3. Pilot rectification time must be checked. Pilot flame should rectify the ignition system within five seconds of pilot flame ignition and sparking at pilot must stop with five seconds. If pilot flame ignites but sparking continues at pilot hood after five seconds, it indicates that pilot flame sensor is dirty. Clean pilot flame sensor using emery cloth and retry. If problem persists, check flame sensor lead wire for damage or grounding problems and correct.
4. Periodic visual check of pilot flames is required. Pilot Flame must overlap Flame Sensor and burner ignition ports always. Especially for LPG applications, always verify visible pilot flame length is at least 1" long, minimum.
5. Cycle the burners to make certain burner ignition is prompt and flame propagation along burner length is quick and smooth. If flame propagation is delayed, remove obstructing debris, vacuum burner ports, and retry.
6. Periodic visual check of rear and front burner flames pattern is required.



Minimum Pilot Flame Length

6.2 CLEANING VIEWING GLASS

WARNING: Do not clean when glass is hot.

The viewing glass should be cleaned periodically. Exterior glass surface may be cleaned with cleaner as desired. To clean Interior glass surface, remove glass frame assembly. [To Remove Door](#). Use Kel Kem "polish plus" (part # 65-06-00455) or comparable product to clean glass interior surface. Do not use oven cleaner or abrasive cleaners to clean glass.

6.3 REQUIRED ANNUAL MAINTENANCE

In addition to the "Required Periodic Inspections", the following procedures must be performed each year by a qualified installer, service agency or the gas supplier. Any adjustments to burner, pilot or logs must be done by a qualified installer, service agency, or the gas supplier.

Clean all lint and dust build-up around the control and blowers. Inspect the condition of any wiring under the burner for melting or damage. Clean flame sensor rod/hook using emery cloth. Vacuum all burner ports and pilot assembly.

Remove logs & coals and clean away any foreign matter (lint, Carbon, etc.) on the burner and logs. Be sure the burner ports are "open". Clean the pilot and under side of the logs for any Carbon deposits.

NOTE: Logs should be visually checked for Carbon "build-up". If carbon deposits are visible on logs, unit should be turned off and a qualified installer, service agency, or the gas supplier should be contacted. Be sure logs are re-installed per instructions.

Check glass gasket seal. Visually inspect glass gasket, especially at the corners of the glass piece. Glass gasket is installed as a 4-piece assembly. Check joints between the gasket pieces at the corners. They should butt against each other to create a seal. Gaps between gasket pieces can cause exhaust leaks and lead to acrid smell concerns.

6.4 OVER FIRING OR UNDER FIRING OF BURNER

NEVER "over fire" or "under-fire" units by increasing or decreasing the main orifice sizes or by adjusting gas pressure to increase BTUH above nameplate specifications.

Over firing can cause permanent damage to firebox and deterioration of parts and void the warranty.

Under-firing can potentially cause delayed ignition and lead to property loss and person injury and will void the warranty.

If you are using a "backyard" Natural Gas well as the gas source, you must submit formal gas analysis data sheets to Mendota Fireplaces for review and calculation of proper main burner orifice sizes prior to first firing. It is known that unpurified Natural Gas from "backyard" wells can contain high energy levels causing over firing. Further, unpurified gas can contain high levels of Sulphur and other compounds which can damage the burner materials and the ceramic glass. Use of unpurified gas will void the warranty for this product.

6.5 IGNITION SYSTEM LOCKOUT MODE AND RE-LIGHTING

If the ignition system goes into lockout mode, be sure to wait a minimum of five minutes before attempting to re-light. If lockout occurs frequently, contact your Mendota Dealer for diagnosing the problem.

Frequent lockout can be caused by many factors and must be properly diagnosed, and the primary cause identified. It should never be assumed that the ignition control system is faulty without proper diagnosis.

6.6 BURNER FLAME HEIGHTS REFERENCE DIAGRAM



Burner Flame Heights: This image provides a visual reference for the burner flames burning at maximum height after the burners have been operating for 30 minutes or longer. A normal rear flame will be 1 to 2 inches above the rear log top edge. This, however, is dependent on the gas type, air shutter opening setting and vent system configuration. Actual flame heights can be slightly higher or lower when compared to this reference image.

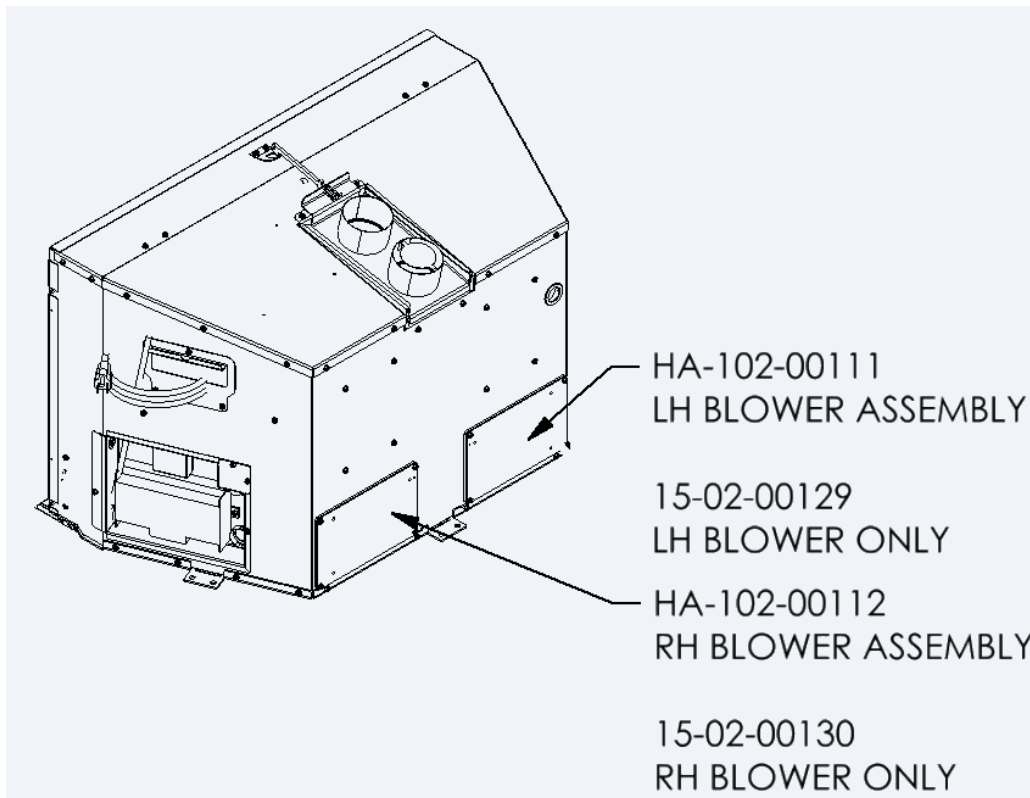
6.7 REPLACEMENT PARTS INFORMATION

6.7.1 Replacement Parts List

Please contact your Mendota Dealer for parts availability and parts pricing.

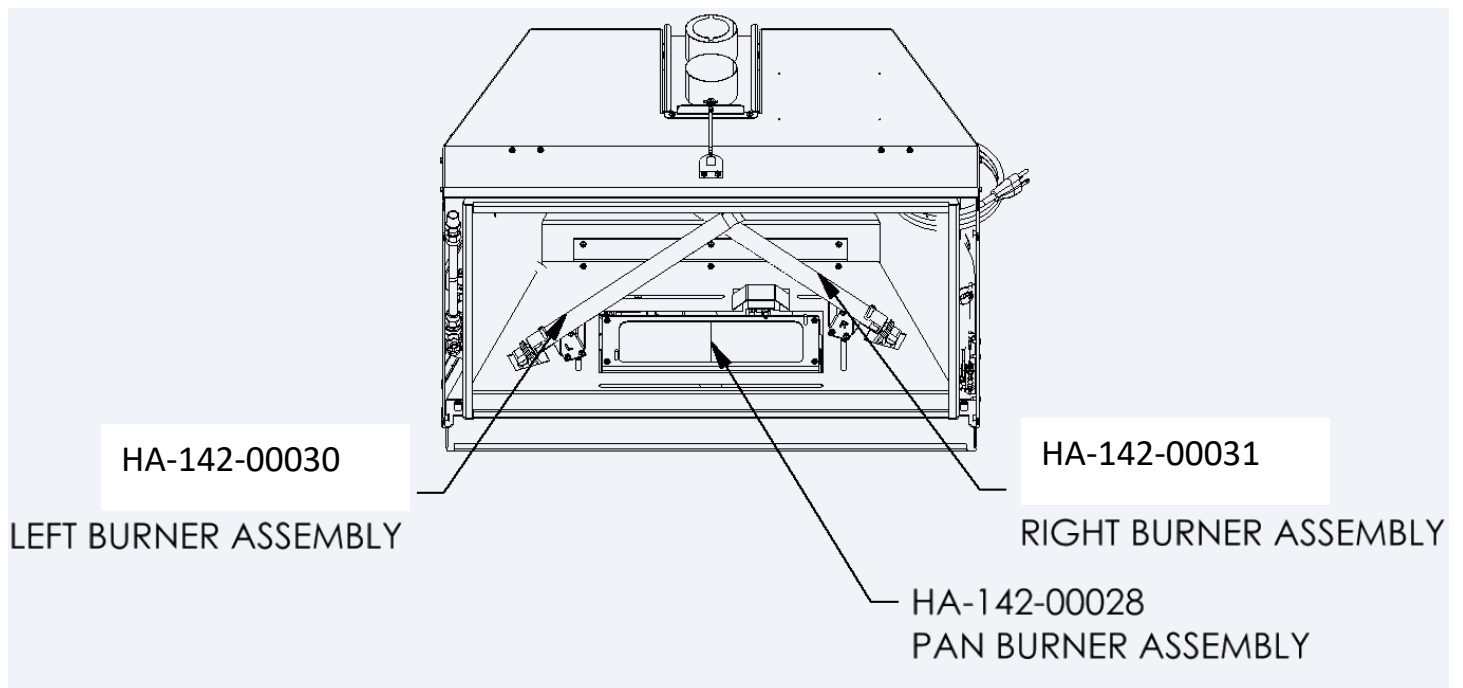
ITEM	QTY	PART NUMBER	DESCRIPTION
1	1	05-02-00344	Valve, 885 ProFlame (NG) SIT# 0.885.001
2	1	05-02-00396	Split Flow Solenoid Valve
3	1	05-04-00075	PILOT, SS BARREL, 2-WAY HOOD
4	1	05-02-00416	SIT ProFlame II Module, 0.584.665
5	1	65-07-00744	Ball Valve
6	1	65-14-00052	Left and Right Angled Burner Orifice
7	1	HA-142-00030	Left Burner Assembly
8	1	HA-142-00031	Right Burner Assembly
9	1	HA-142-00028	Pan Burner Assembly
10	1	05-02-00345	Backup Battery Holder
11	1	10-03-00128	Backup Power Harness
12	1	10-03-00066	Power Cord, 96"
13	1	15-02-00129	Blower, LH
14	1	15-02-00130	Blower, RH
15	1	10-11-00025	Accent Light Lens
16	1	10-11-00020	G9 Xenon, 25W Light Bulb
17	1	HA-77-00256	Glass Latch Tool
18	1	HA-142-00003	Glass Frame Weldment (no glass)
19	96"	65-02-00103	Glass Gasket, Tadpole, 5/8" Bulb, 3/4" Tail
20	1	65-06-01272	Door Glass, NeoCeram

6.7.2 Convection Air Blower System Parts

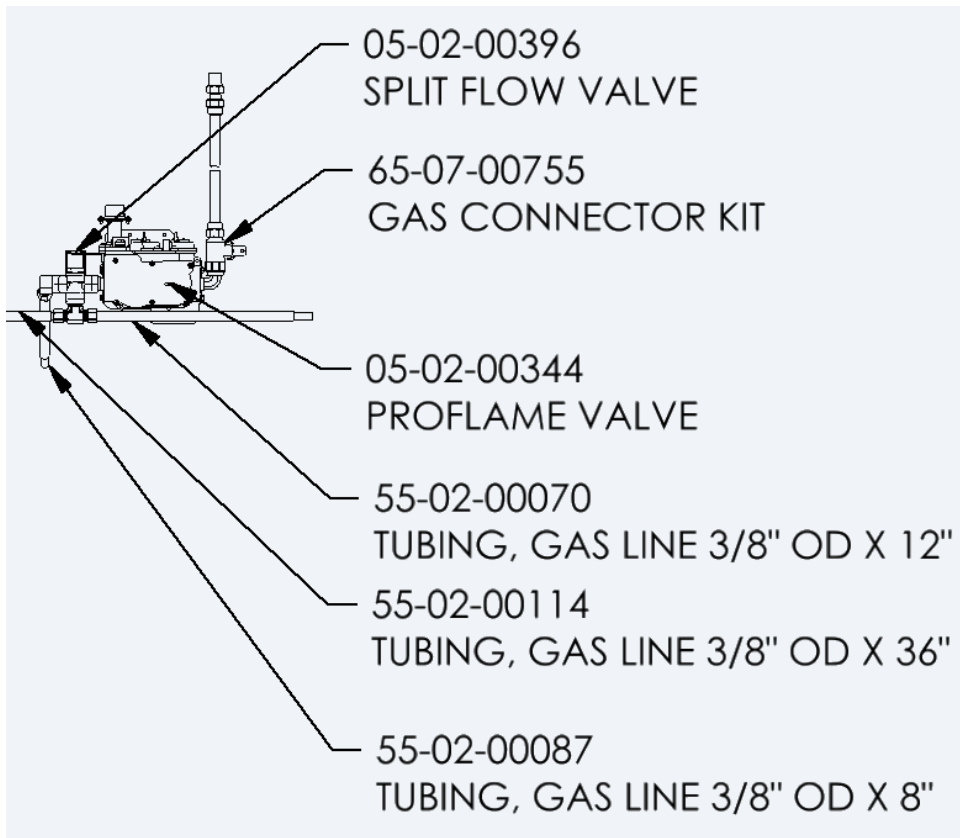


Blower System Parts

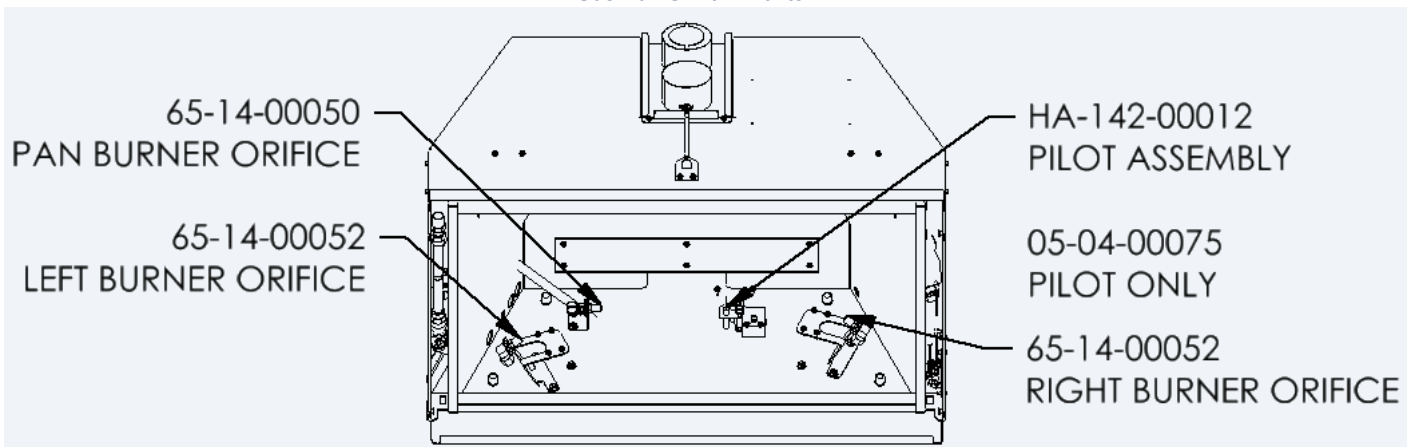
6.7.3 Burner System Parts



Gas Valve Train Parts

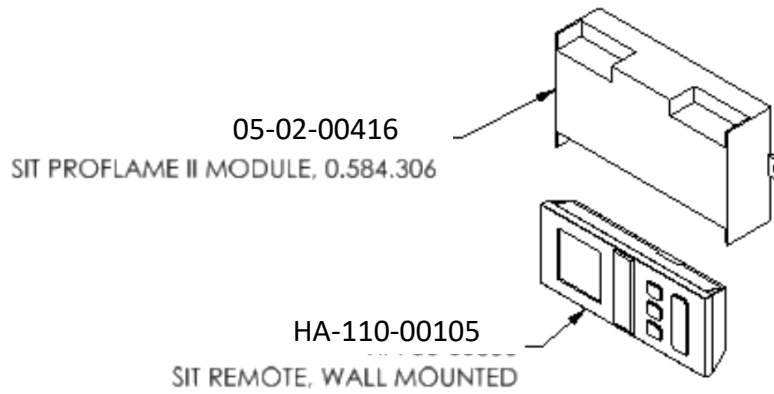


Gas Valve Train Parts

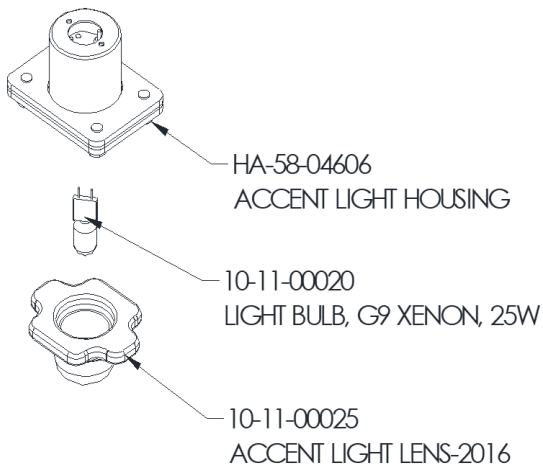


Gas Valve Assembly Parts

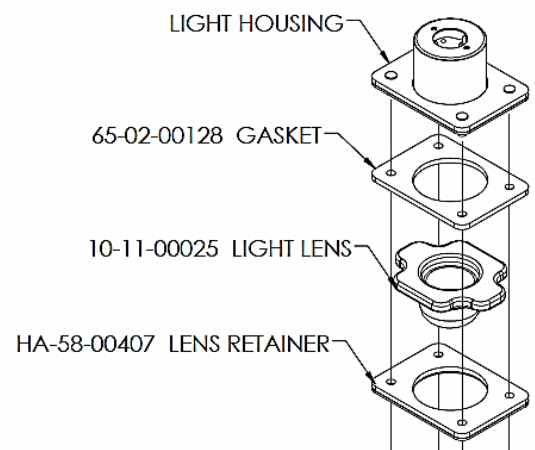
6.7.5 Ignition Control Module Assembly Parts



6.7.6 Accent Light



Accent Light Bulb & Lens Installation



Accent Light Lens Installation

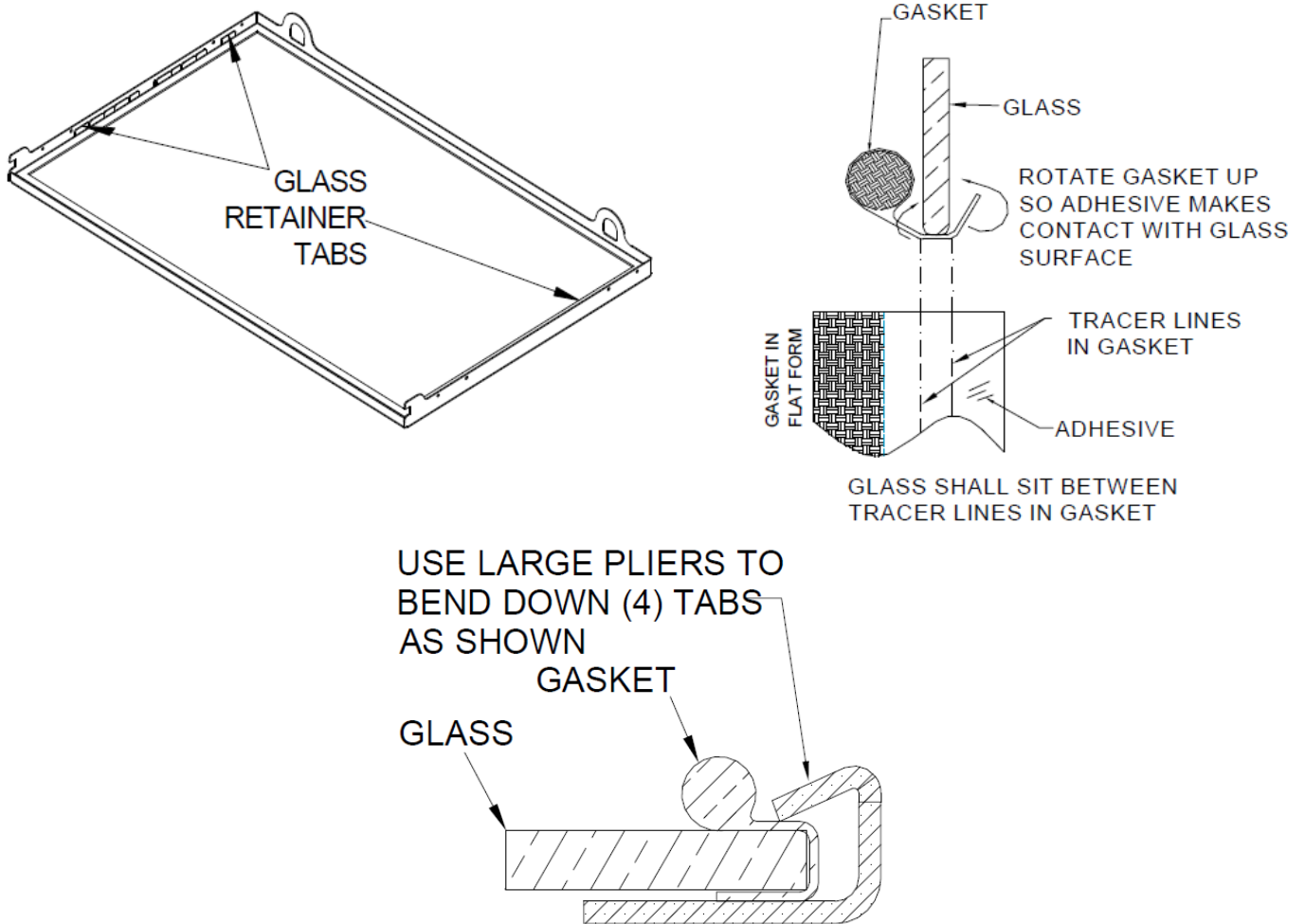
6.7.7 Glass Frame Parts Replacement Procedure

WARNING: Do not use substitute materials. All replacement materials must be certified and obtained through Mendota fireplaces.

TO REPLACE DAMAGED GLASS

1. Bend glass retainer tabs up 90 degrees. Four tabs hold down the glass and gasket assembly.
2. Remove the damaged glass and gasket material. Clean the inner surface of the glass frame.
3. Assemble new gasket on glass edge starting with the bottom left corner. The adhesive on the gasket should contact the glass surface. Use tracer lines in gasket to determine where the glass should sit on the gasket surface.
4. Place glass and gasket assembly in glass frame and carefully bend down glass retainer tabs. Extra glass retainer tabs are provided should any originally used tabs break off.

The glass frame assembly and its individual components are available through Johnson Gas Appliance Company. Contact your dealer for more detailed ordering information.



GLASS FRAME ASSEMBLY (HA-142-00004) REPLACEMENT		
ITEM	PART NUMBER	DESCRIPTION
1	HA-142-00003	FRAME, WELDMENT, GLASS, FV33i FireIn
2	65-02-00103	GASKET, TADPOLE, 5/8" BULB, 3/4" TAIL
3	65-06-01272	GLASS, CERAMIC, FV33i FireIn

7 WARRANTY QUALIFICATION AND SERVICE

The following information verifies proper installation and operation of your Mendota fireplace. All installation and operating instructions must be carefully followed. This Mendota fireplace must be installed according to all manufacturers' instructions as per the manual. Only dealer sanctioned and approved installers can install and/or service Mendota hearth appliances and parts. Repairs conducted by an unqualified technician will void this warranty. Proper permits and inspections are required to validate any future warranty claims. Mendota retail partners are 100% responsible for the installation and service of any Mendota appliance, or part thereof, that they sell within Mendota polices. The Mendota retail partners must also facilitate the execution of any warranty related items for the Mendota appliances and parts that they sell, in perpetuity.

7.1 FINAL INSTALLATION AND HOMEOWNER CHECKLIST

- INSERTS ONLY: The existing woodburning fireplace and its chimney system are structurally sound, professionally cleaned, intact and remain woodburning capable (inserts only).
- INSERTS ONLY: If fireplace was re-faced, does the re-facing conform to the guidelines found in this manual regarding the re-facing of woodburning units?
- INSERTS ONLY: Woodburning chimney interior and chimney top cap are inspected and repaired or replaced if damaged.
- No offensive odor emitting materials exist around appliance such as low temp rated adhesives, plastics or others.
- All surrounding finishing materials are conforming to manual requirements.
- Electrical power supply system conforms to NEC and local electrical codes.
- Gas supply must conform to national and local building codes.
- All gas line joints were checked for leaks using gas leak detector solution or a gas sniffer, or were pressure tested if required by local building code.
- All internal gas plumbing joints were checked for leaks using gas leak detector solution or a gas sniffer.
- Glass gasket was inspected and verified that it is sealing properly.
- Gas supply line was bled of air and pilot flame was ignited.
- Pilot flame overlaps burner flame propagation ports properly.
- Burners light and flames travel promptly along entire length of burner.
- Logs/media are installed properly per installation instructions.
- Burner(s) air shutter is adjusted properly. Shutter opening set properly per installation manual.
- Burner flames are "stable" and are not "lifting" off burner.
- Inform owner that an initial curing step is required. Read and follow Mendota Fireplace and Insert Curing Instructions (found on unit and in owner's manual). Smoke will emit during initial curing step.
- Provide owner with contents of owner's manual packet.
 - Owner's manuals, remote control transmitter, glass latch tool, backup battery system, etc.
- Train owner how to remove and reinstall decorative front.
- Train owner how to remove and properly reinstall glass door.
- Inform owner about the glass safety screen barrier requirement.
- Educate owner on remote control functions (ProFlame units only)
 - How to put fireplace in CPI & back into IPI. CPI is suggested during cold season for ease of operation of fireplace
 - How to light the pilot light.
 - How to light the main burners and how to adjust the flame level.
 - How to turn the fan on and adjust fan speed.
 - How to turn on accent light and adjust brightness of light.
 - How to turn the rear burner on and off.
 - Explain the 3 thermostatic modes of operations:
 - OFF / Manual operation
 - ON / Fireplace turns ON and OFF to maintain the set temperature.
 - Fan delayed 5 minutes in ON and runs 12 minutes after.
 - SMART / Fireplace adjusts the flame level to maintain the set temperature.
 - Fan delayed 5 minutes in ON and runs 12 minutes after.
- Train owner about lockout mode and how to reset it.
- Train owner how to use backup battery system and operate appliance during power outage.
- Train owner about master switch location and emergency shutoff function.
- Train owner how to operate manual shutoff gas valve using glass latch tool.
- Inform owner that periodic maintenance of this unit is required per manual.

WARNING: MENDOTA GAS FIREPLACES ARE HEAT PRODUCING APPLIANCES. KEEP CHILDREN AND FURNITURE A SAFE DISTANCE AWAY TO PREVENT PROPERTY DAMAGE, PERSONAL INJURY OR LOSS OF LIFE.

I have trained and informed homeowner of all the requirements listed above.

Staff Name _____

Staff Signature Date _____

Homeowner's Name _____

Homeowner's Signature Date _____

7.2 WARRANTY POLICY STATEMENT

Mendota Fireplace, a division of Johnson Gas Appliance Company, extends this limited lifetime warranty to the original purchaser of this appliance provided the product remains in the original place of installation. The items covered by this limited warranty and the period of such coverage is set forth in the table below. Some conditions apply (see below). The policy is not transferable, amendable or negotiable under any circumstances. The warranty starts from the date of invoice from Mendota to the installing dealer and only applies to new units sold through an authorized Mendota dealer. In the case of new construction, warranty coverage begins on the date of certificate of occupancy of the dwelling or six months after invoice of the final sale of the product from the Mendota dealer, whichever occurs earlier. However the warranty coverage shall begin no later than 24 months following the date of product shipment from Mendota, regardless of purchase date.

MENDOTA WARRANTY BENEFITS					
Description	Parts Coverage				Labor Coverage (Years)
	Lifetime	3 years	2 years	90 days	
Firebox and Heat Exchanger	X				5
Stainless Steel Burner Tubes/Ceramic Burners	X				2
All Castings	X				2
Valve Assembly and all gas control components (Pilot Assembly, Orifices, Thermocouple, Thermopile)		X			2
All other Electrical Components (Ignition Control Boards, Wiring, Switches, Blowers, Blower Control Module, Battery Pack)		X			2
Venting/Venting Components		X			1
Glass (Breakage From Thermal Shock)			X		1
Exterior Painted Finishes			X		1
Exterior Plated Finishes			X		1
Brick Panels and Log Sets (coloration failures only)			X		1
All Firebox Media (Glass Beads, Ceramic Stones, Tumbled Marble)			X		1
All hardware			X		1
Mesh/Glass Safety Barriers			X		1
Glass Panels			X		1
Enamel Panels			X		1
Remote Control Systems				X	0
Accent Light Bulbs				X	0

X = Mendota Standard Warranty

****Labor credits do not include travel time/mileage and are covered at a subsidized rate, see #4 below for additional details.**

****Parts credits do not include freight.**

7.2.1 Conditions

1. Warranty protects against defect in manufacture or Mendota factory assembled components only, unless herein specified otherwise. Warranty does not cover water damage or odors caused by water or environmental factors.
2. It remains the full responsibility of the owner to operate this appliance within the guidelines provided in the Installation and Operating Instructions Manual accompanying this appliance. Further, the owner shall bear full responsibility to enforce clearances to combustibles requirements and cautioning others about hot glass surface and hot metal surfaces.
3. Owner by operating this appliance accepts that this is a heat producing appliance which has glass and steel parts that are hot enough to cause severe burns. Owner accepts that this appliance requires close monitoring of children and vulnerable individuals who are in the vicinity of this appliance when it is in operation. Mendota does not assume or accept any liability claims for burns or other physical or material damages resulting from touching hot glass surface and hot metal surfaces that are part of this appliance or other adjacent object such as hearth pads and mantels that may heat up during operation of this appliance.
4. Any part(s) found to be defective during the warranty period as outlined above will be repaired or replaced at Mendota's option through an accredited distributor, dealer or pre-approved and assigned agent provided that the defective part is returned to the distributor, dealer or agent for inspection if requested by Mendota. Alternatively, Mendota may at its own discretion fully discharge all of its obligations under the warranty by refunding the verified purchase price of the product to the original purchaser. The purchase price must be confirmed by the original Bill of Sale.
5. The authorized selling dealer, or an alternative authorized Mendota dealer if pre-approved by Mendota, is responsible for all infield diagnosis and service work related to all warranty claims. Mendota is not responsible for results or costs of workmanship of unauthorized Mendota dealers or agents in the negligence of their service work.
6. At all times Mendota reserves the right to inspect reported complaints on location in the field claimed to be defective prior to processing or authorizing of any claim. Failure to allow this upon request will void the warranty.
7. All warranty claims must be submitted by the dealer servicing the claim, including a copy of the Bill of Sale (proof of purchase by you). All claims must be complete and provide full details as requested by Mendota to receive consideration for evaluation. Incomplete claims may be rejected. Unit must be installed according to all manufacturers' instructions as per the manual by a Mendota authorized dealer, an authorized dealer technician or an authorized dealer service person only.
8. All Local and National required codes must be met.
9. The installer is responsible to ensure the unit is operating as designed at the time of installation.
10. The original purchaser is responsible for annual maintenance of the unit, as outlined in the owner's manual. As outlined below, the warranty may be voided due to problems caused by lack of maintenance.
11. Repair/replacement parts purchased by the consumer from your local Mendota Dealer after the original coverage has expired on the unit will carry a 90-day warranty, valid with a receipt only. Any item shown to be defective will be repaired or replaced at our discretion. No labor coverage is included with these parts. Parts requested to be drop shipped direct to the consumer will nullify this warranty.

7.2.2 Exclusions

1. This limited warranty does not extend to paint, rust or corrosion of any kind due to a lack of maintenance or improper venting, combustion air provision, corrosive chemicals (i.e. chlorine, salt, air, etc.), door or glass gasketing.
2. Discoloration and some minor warping are normal, not a defect and therefore not covered under this warranty. The installer must ensure the unit is burning as per the rating tag at the time of installation. Over-firing (operation above the listed BTU rating of this unit can cause serious damage and will nullify this warranty.
3. Mendota will not cover the cost of the removal or re-installation of hearths, facing, mantels or other components.
4. The first service call is at the expense of the Retailer/Installing Dealer, Labor Credit is NOT allowed for normal dealer services. This includes but is not limited to; flame adjustment, venting, log placement or replacement, pilot adjustment, gas leaks, remote controls, light bulb replacement, multiple trips to diagnose and order parts, or annual maintenance, back-order delays, freight costs, mileage, etc. Claims MUST be submitted within 15 days of service and MUST be accompanied by a copy of the Mendota invoice (for the warranted part) for parts credit or to issue an RMA. All labor rates paid to authorized dealers are subsidized rates. Dealers may charge homeowner for travel and additional time beyond their subsidy.
5. Damages to plated surfaces caused by fingerprints, scratches, melted item or other external sources left on plated surfaces from the use of cleaners other than denatured alcohol is not covered by this warranty. Wipe off any fingerprints prior to using fireplace for the first time to ensure oils from the hands don't etch into plated/finished surface.

6. Mendota is free of liability for any damages caused by the appliance, as well as inconvenience expenses and materials. Incidental or consequential damages are not covered by this warranty.
7. Exclusions to this warranty include: injury, loss of use, damage, failure to function due to accident, negligence, misuse, improper installation, alteration of the manufacturer's setting of components, lack of proper and regular maintenance, damage incurred while the appliance is in transit, or by act of God.
8. Malfunction, damage or performance based issues of any and all components as a result of environmental conditions, location, chemical damages, downdrafts, installation error, installation by an unqualified installer, incorrect chimney components (including but not limited to cap size or type), operator error, abuse, misuse, use of improper fuels, lack of regular maintenance and upkeep, acts of God, weather related problems from hurricanes, tornados, earthquakes, floods, lightning strikes/bolts or acts of terrorism or war, which result in malfunction of the appliance are not covered under the terms of this Limited Lifetime Warranty.
9. Mendota has no obligation to enhance or modify any unit once manufactured (i.e. as products evolve, field modifications or upgrades will not be performed on existing appliances).
10. Any unit showing signs of neglect or misuse will not be covered under the terms of this warranty policy and may void this warranty. This includes units with rusted or corroded fireboxes or water damaged units.
11. Units which show evidence of being operated while damaged, or with problems known to the purchaser and causing further damages will void this warranty.
12. Units where the serial no. has been altered, deleted, removed or made illegible will void this warranty.
13. Noises due to minor movement, expansion and contraction of the steel is normal and is not covered under the terms of this warranty.
14. Freight damages for products or parts are not covered under the terms of the warranty. Please refer to our Freight Damage Policy and follow proper procedures at the time of delivery from Mendota. NOTE: all units should be thoroughly inspected at the time of delivery from freight carrier and reported within 48 hours (does not guarantee claim will be paid). Failure to report damages after 48 hours results in automatic claim denial through the freight carrier and dealer/consumer will be responsible for purchasing replacements.
15. Products made or provided by other manufacturers and used in conjunction with the Mendota appliance without prior authorization from Mendota may void this warranty.

7.2.3 Limitations of Liability

The original purchaser's exclusive remedy under this warranty, and Mendota's sole obligation under this warranty, express or implied, in contract or in tort, shall be limited to replacement, repair, or refund, as outlined above. In no event will Mendota be liable under this warranty for any incidental or consequential commercial damages or damages to property. To the extent permitted by applicable law, Mendota makes no express warranties other than the warranty specified herein. The duration of any implied warranty is limited to the duration of the expressed warranty specified above. If implied warranties cannot be disclaimed, then such warranties are limited in duration to the duration of this warranty.

Some U.S. states do not allow limitations on how long an implied warranty lasts or allow exclusion or limitation of incidental or consequential damages, so the above limitations or exclusions may not apply to you. Customers located outside the U.S. should consult their local, provincial or national legal codes for additional terms which may be applicable to this warranty.

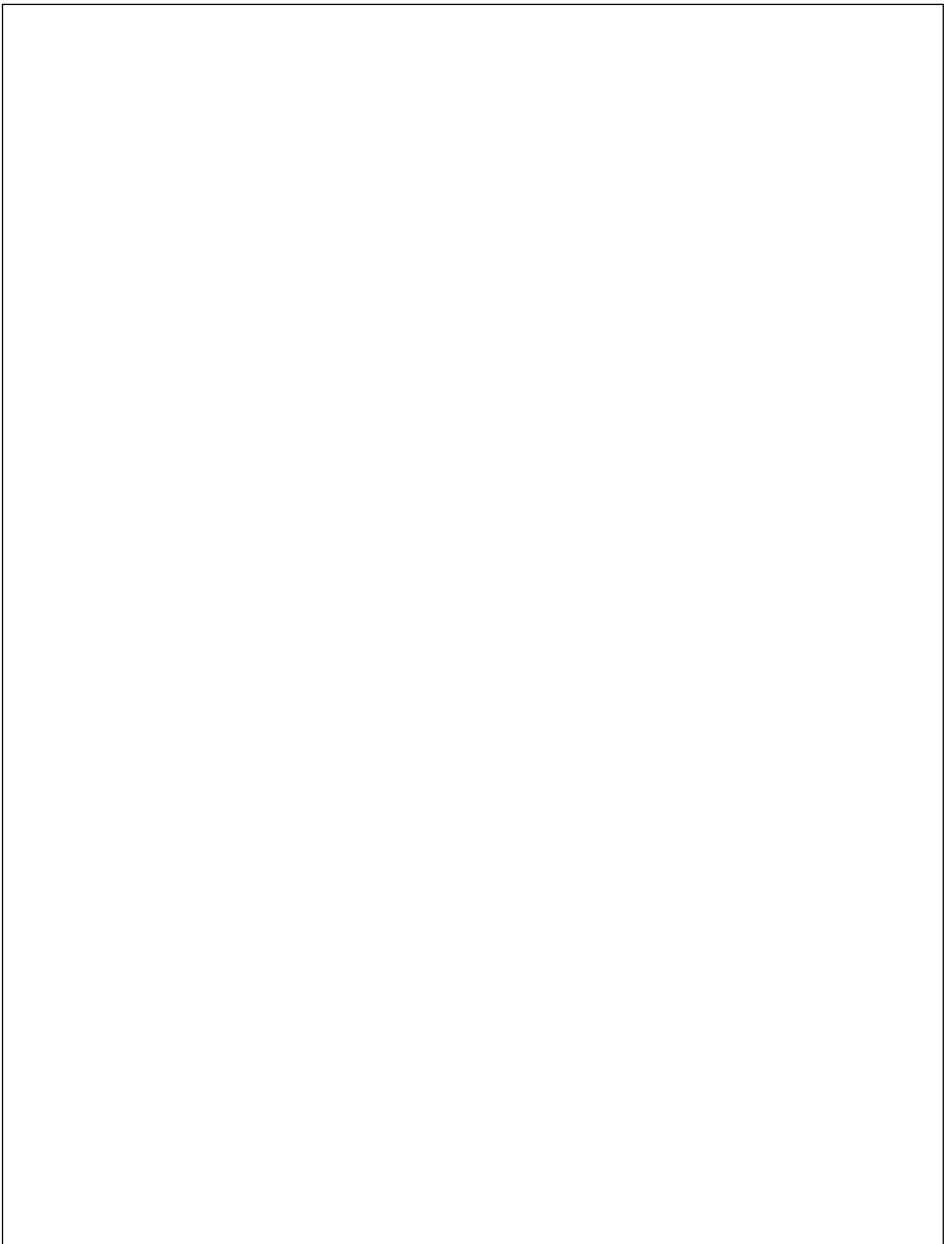
7.2.4 How to Obtain Warranty Service

If you discover a problem that you believe to be covered by the warranty, you must report it to your Mendota Dealer within 30 days, with proof of purchase, purchase date, model name and serial number.

Customers should contact the authorized selling dealer to obtain warranty service. In the event the authorized selling dealer is unable to provide warranty service, please contact Mendota by mail at the address listed below. Please include a brief description of the problem and your address, email and telephone contact information. A representative will contact you to make arrangements for an inspection and/or warranty service.

Warrantor:

Johnson Gas Appliance Company
Mendota Fireplace Division
1155 Sherman Rd., Hiawatha, IA 52233



MENDOTA

NORTH AMERICA'S LUXURY FIREPLACE

MENDOTAHEARTH.COM

1155 Sherman Rd, Hiawatha, IA 52233

(800)553-5422